

63501020	<b>DATA SHEET</b>
Valid from: 17.09.2018	<b>Panel connectors with latch</b>

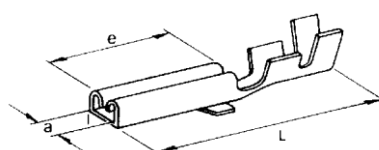
Non-insulated Panel connector with latch – male and female – for top connection by simply procedure.

**Application:** Automotive industry, electrical devices

**Features:** The connector allowed a fast, simply and safety assembling and disassembling

**Panel connectors with latch, Type F**  
(for Panel connector sockets)

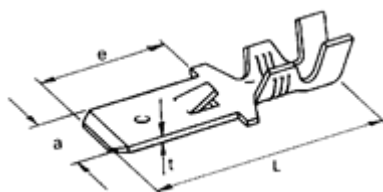
**Material:** Brass, blank



Part No.	Description	Wire cross-section mm <sup>2</sup>	Blade connector mm	a mm	e mm	L mm	Thickness mm
6350 1010	B 638 F	1,0 – 2,5	6,3 x 0,8	7,6	7,7	19,2	0,35

**Panel connector with latch, Type M**  
(for Panel connector sockets)

**Material:** Messing, blank

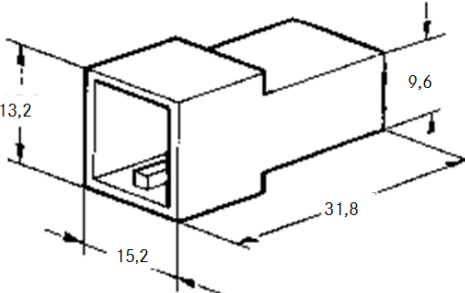
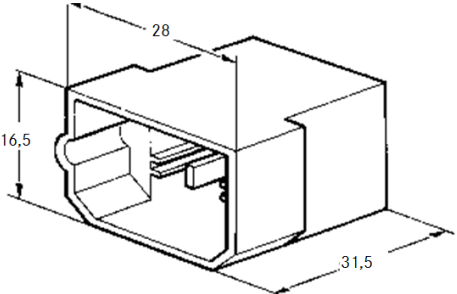
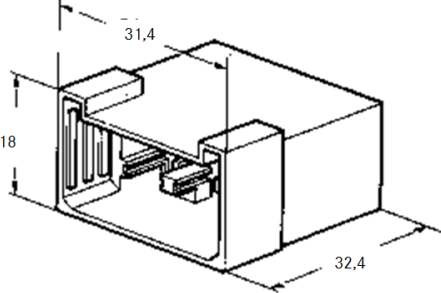
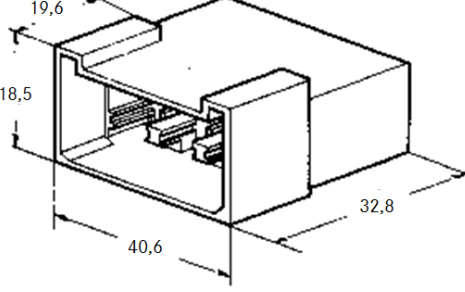


Part No.	Description	Wire cross-section mm <sup>2</sup>	Blade connector mm	a mm	e mm	L mm	Thickness mm
6350 1020	BM 638 M	1,0 – 2,0	6,3 x 0,8	6,3	15	28	0,35

63501020	<b>DATA SHEET</b>
Valid from: 17.09.2018	<b>Panel connectors with latch</b>

**Panel connector socket for Panel connectors Type M**

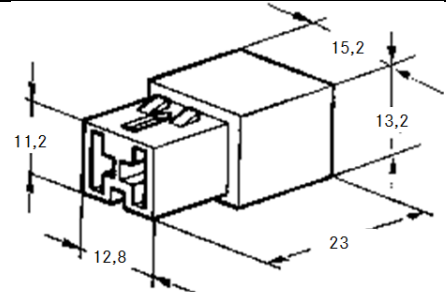
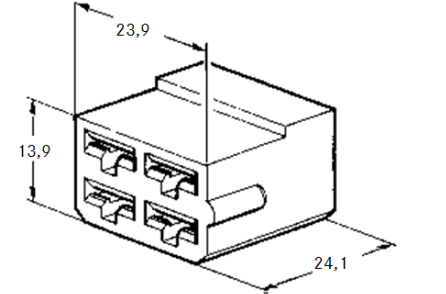
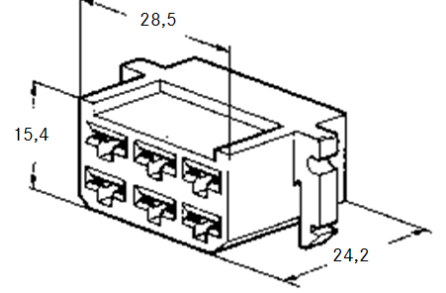
**Material:** Polyamide

Part No.	Description	Number of pins	Product picture
6330 0100	408 - 2M	2	
6330 0110	408 - 4M	4	
6330 0120	408 - 6M	6	
6330 0130	408 - 8M	8	

63501020	<b>DATA SHEET</b>
Valid from: 17.09.2018	<b>Panel connectors with latch</b>

**Panel connector socket for Panel connectors Type F**

**Material:** Polyamide

Part No.	Description	Number of pins	Product picture
6330 0140	408 - 2F	2	
6330 0150	408 - 4F	4	
6330 0160	408 - 6F	6	
6330 0170	408 - 8F	8	