

6220 0453	DATA SHEET
Valid from: 17.05.2018	Cable Trolley C-Rail (C30) Stainless Steel

The Cable Trolley System is designed for C-Rail (C30) and is available as flat- and round cable system
The fastening components are suitable for both systems.

Material:

Metal Parts	Stainless steel SS 2343
Screws	Stainless steel A4
Clamps	Polyamide 6

Technical features

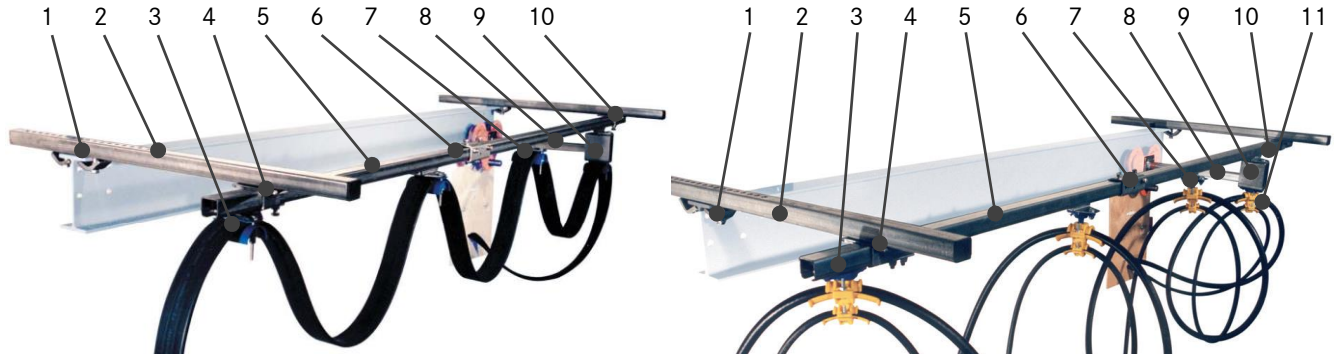
Temperature range	-40°C up to +120°C
Max. Load	20kg / Cable Trolley

Additional product data:

ETIM 5.0 Class-ID: EC002935
ETIM 5.0 Class-Description: Accessories for Cable Trolley Systems


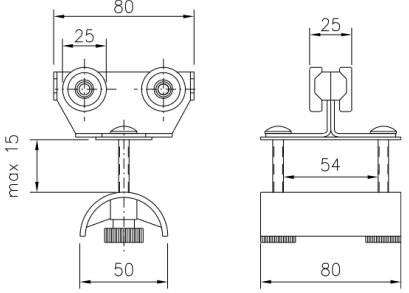

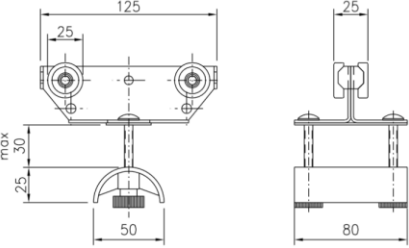

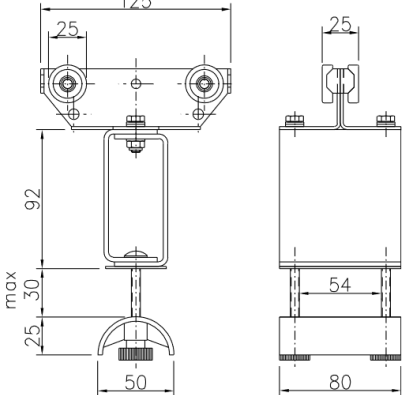

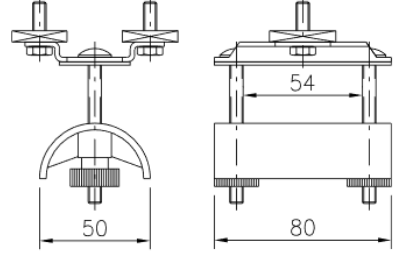

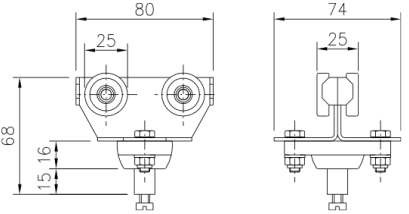
Notes:

- The bending radius corresponds to a permanent installation.
- Cable Trolleys with the addition „b“ are suitable for cables with higher bending radius.


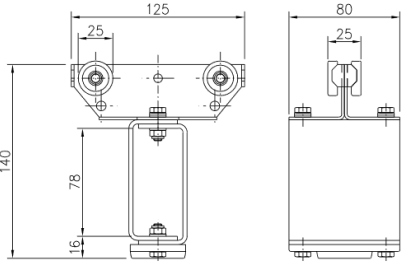

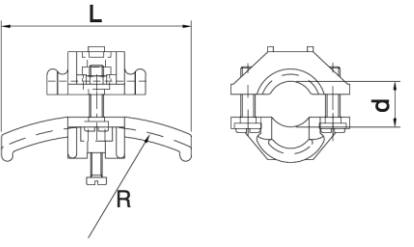

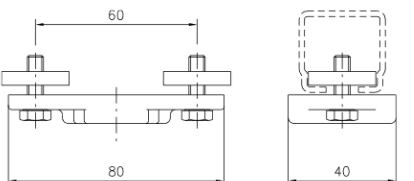



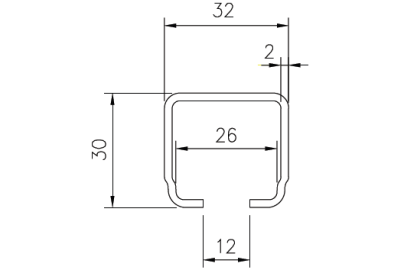

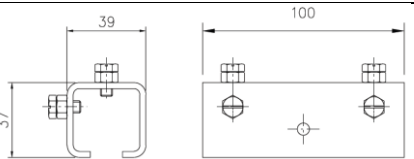

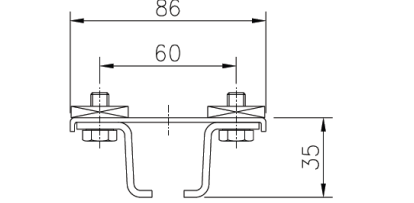
1. Girder clips
2. Support arm
3. End clamp
4. Support bracket
5. C-rail
6. Track coupler
7. Cable trolley
8. Towing arm
9. Towing trolley
10. End stop
11. Cable clamp round

6220 0453	DATA SHEET
Valid from: 17.05.2018	Cable Trolley C-Rail (C30) Stainless Steel


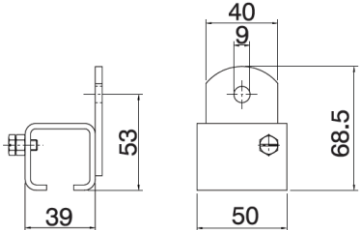

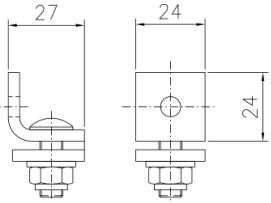

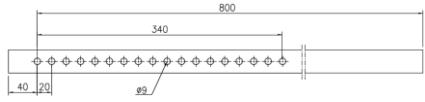

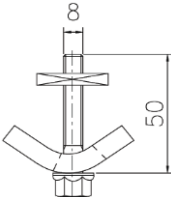

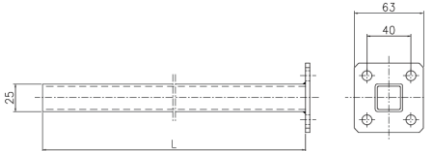
Description	Max. Cable measure mm	Measures mm	Weight kg	Image	Drawing
Cable Trolleys Flat Cable C30-Rail					
Cable Trolley flat C30 15x54 Stainless steel Part No. 62200453	15 x 54	L = 80 D = 50 B1 = 80 B2 = 54	0,28		
Cable Trolley flat C30 30x54 Stainless steel Part No. 62200462	30 x 54	L = 125 D = 50 B1 = 80 B2 = 54	0,36		
Towing trolley flat C30 Stainless steel Part No. 62200630	30 x 54	L = 125 D = 50 B1 = 80 B2 = 54	0,6		
End clamp flat C30 Stainless steel Part No. 62200640	30 x 54	D = 50 B1 = 80 B2 = 54	0,20		
Cable Trolley Round Cable C30-Rail					
Cable Trolley round C30 Stainless steel Part No. 62200120		L = 80	0,26		

6220 0453	DATA SHEET
Valid from: 17.05.2018	Cable Trolley C-Rail (C30) Stainless Steel

Description	Max. Cable measure mm	Measures mm	Weight kg	Image	Drawing
Part No. Towing trolley round C30 Stainless steel Part No. 62200680		L = 125	0,57		
Cable clamp round 10-16mm Stainless steel Part No. 62200130	10 - 16	R = 80 L = 70	0,04		
Cable clamp round 17-25mm Stainless steel Part No. 62200463	17 - 25	R = 125 L = 100	0,06		
Cable clamp round 26-36mm Stainless steel Part No. 62200700	26 - 36	R = 160 L = 140	0,12		
Cable clamp round Stainless steel Part No. 62200690			0,09		

Description	Measures mm	Weight kg	Image	Drawing
Part No.	mm	kg		
Attachments Cable Trolleys Round- and Flat Cable				
C-Rail 6m C30 Stainless steel Part No. 62200454	L = 6000	9,3		
Track coupler C30 Stainless steel Part No. 62200600		0,28		
Support bracket with square nuts C30 Stainless steel Part No. 62200610		0,24		

6220 0453	DATA SHEET
Valid from: 17.05.2018	Cable Trolley C-Rail (C30) Stainless Steel

Description	Measures	Weight	Image	Drawing
Part No.	mm	kg		
Attachments Cable Trolleys Round- and Flat Cable				
Support bracket for wall mounting C30 Stainless steel Part No. 62200487		0,20		
End Stop C30 Stainless steel Part No. 62200620		0,13		
Support arm 800mm C30 Stainless steel Part No. 62200660	L = 800	1,25		
Girder clips 2 for each support arm Stainless steel Part No. 62200670		0,15		
Towing arm 400mm Stainless steel Part No. 62200650	L = 400	0,6		

Footnote:

The images are no scaled and detailed images from the products.