


6180 3973	DATA SHEET	
Valid from: 23.04.2018	SILVYN® SPLIT PA12F	

SILVYN® SPLIT PA12F is a cable protection conduit made of polyamide 12 for retrofit application. The Protection conduit is self-extinguishing and is due to his mechanical features especially suitable for technical requirements, special for train applications and public transporting.



Material: Polyamide 12

Technical features:

Profile	Parallel corrugated
Nominal size	NW 7 up to NW 100
Temperature range	-45°C up to +105°C

Additional features:

Fire classification	V0 acc. to UL94
Fire hazardous level	HL3 (R22 and R23) acc. to EN 45545-2
Oxygen index	>33% acc. to EN ISO 4589-2
Self-extinguishing	acc. to UL1696
Free of halogen und cadmium	
UV- and weathering resistant	

Color: Black




Approbation:

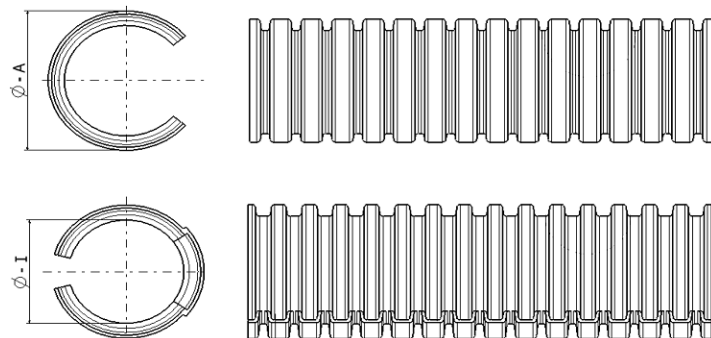
Suitable glands: FIPLOCK® ONE

For more information please see our current catalogue. Please do not hesitate to contact our laboratory if there are any questions regarding resistance against aggressive agents and special oil.

Creator: MAU1/PDP Released: DAMU1/PDP	Document: DB61803973EN Version: 00	Page 1 of 2
--	---------------------------------------	-------------

6180 3973	DATA SHEET	
Valid from: 23.04.2018	SILVYN® SPLIT PA12F	

Product drawing:



Dimension table:

Part. No	NW	Diameter mm		Max. Bending radius mm
		Ø-I	Ø-A	
6180 3973	7	6,3	10,0	20
6180 3974	10	8,8	13,5	25
6180 3975	11	11,0	16,1	25
6180 3976	14	13,2	18,7	30
6180 3977	16	16,0	21,5	35
6180 3978	20	20,2	25,7	45
6180 3979	23	23,9	31,3	55
6180 3980	29	27,3	35,5	105
6180 3981	37	32,5	43,2	130
6180 3982	45	43,1	54,2	135
6180 3983	70	67,0	79,8	175
6180 3984	100	87,5	102,5	195