

61721300	DATA SHEET
Valid from: 16.09.2020	SCHIRMKLEMME EMC-GUARD DINrail

The shield clamp on clip foot can be snapped onto a 35mm DIN rail without the use of tools. Just press the cable shield into the shield clamp to achieve a safe contact. The strain relief provides the possibility of reducing strain on the cable sheath by using a cable tie.

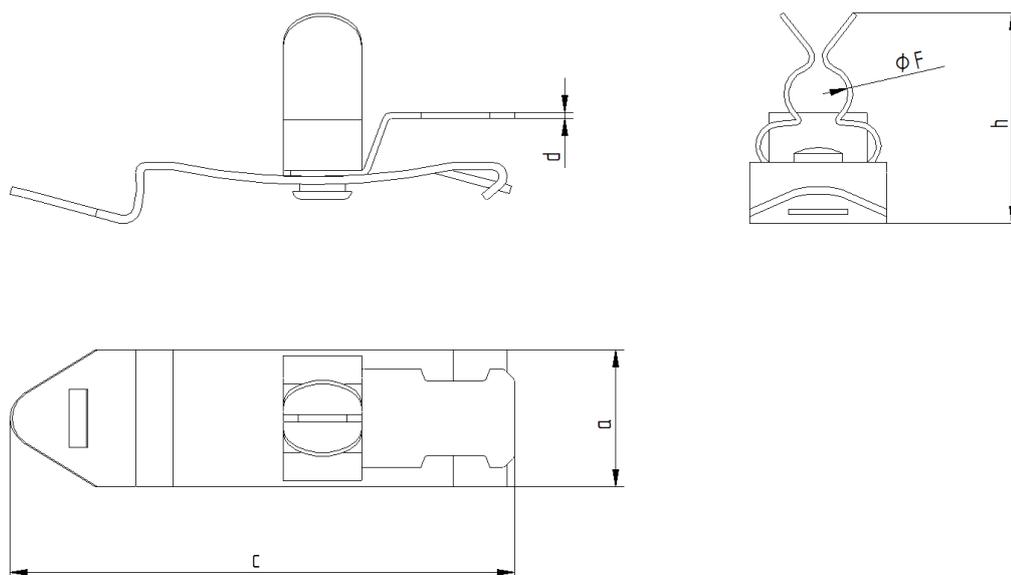


Material: spring steel,
Galvanic plated

Technical features:
Mounting 35mm DIN rail
Clamping range 3 - 18mm

Features:
Strain relief with cable tie acc. to DIN 62444
Attenuation of conductance up to 40dB by 30 MHz

Technical drawing



Dimensions:

Part No	Wide a mm	Length c mm	Thickness d mm	High h mm	Clamping range Ø F mm
6172 1300	14	51,5	0,6	23,2	3 - 6
6172 1301	14	51,5	0,6	25,8	6 - 8
6172 1302	14	51,5	0,6	27,8	8 - 11
6172 1303	14	51,5	0,6	29	3 - 12
6172 1304	14	51,5	0,6	38	7 - 18