


55503234	DATA SHEET	
Valid from: 03.07.2018	SILVYN® LCW-M	

The SILVYN® LCW-M is a 90° elbow conduit fitting, which forms a liquid-tight and easy to install unit in conjunction with the protective conduit SILVYN® LCC-2 or LCCH-2 and has a continuous grounding.



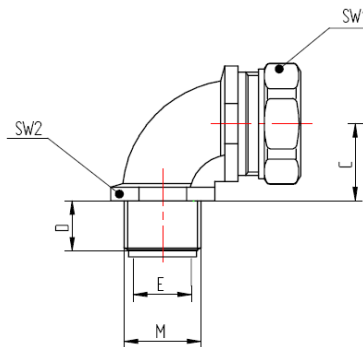
Material: Gland – Brass, nickel plated
Sealing – PA

Features: High tensile strength
Oil resistant
Corrosion resistant
UV resistant

Temperature range: -50°C up to +135°C

Norm Reference:  
DIN EN 61386

Protection class: IP 65



Dimension table:

Part No.	Description	NW	Thread	Inner Ø	Thread length	High	SW 1	SW 2
			M	E mm	D mm	C mm		
5550 3234	SILVYN LCW-M 16x1,5/1	12	M16x1,5	8,6	10,0	17,5	22	20
5550 3235	SILVYN LCW-M 16x1,5/2	16	M16x1,5	11,5	10,0	17,5	26	20
5550 3230	SILVYN LCW-M 20x1,5/1	16	M20x1,5	11,5	13,0	20,0	26	24
5550 3231	SILVYN LCW-M 20x1,5/2	20	M20x1,5	15,3	13,0	20,0	29	24
5550 3232	SILVYN LCW-M 25x1,5	25	M25x1,5	19,1	14,0	25,3	35	30
5550 3233	SILVYN LCW-M 32x1,5	32	M32x1,5	26,0	15,0	31,0	42	36

Suitable Conduit: SILVYN® LCC-2
SILVYN® LCCH-2

Accessories: SKINDICHT® SM-M

For more information please see our current catalogue. Please do not hesitate to contact our laboratory if there are any questions regarding resistance against aggressive agents and special oil.

Creator: M. Wegerer /PDP Released: DAMU1/PDP	Document: DB55503234EN Version: 02	Page 1 of 1
---	---------------------------------------	-------------