


5550 0400	<b>DATA SHEET</b>	
Valid from: 23.04.2018	<b>SILVYN® CNP gland</b>	

SILVYN® CNP is a gland with NPT thread, which is made of galvanized steel and PA6. The gland is suitable to the SILVYN® CNP and can be used in machines and in the mechanical engineering.



**Material:**

Body	Steel, galvanized
Nut	Steel, galvanized
Locknut	Steel, galvanized
Sleeve	Polyamide 6
O-Ring	Elastomer

**Technical Features:**

Connecting thread	NPT 1/2" up to NPT 2" acc. to ANSI/ASME B1.20.1
Nominal wide	NW 3/8" up to NW 2"
Protection class	IP67 acc. to EN 60529
Temperature range	Depending on the used conduit -45°C up to +105°C

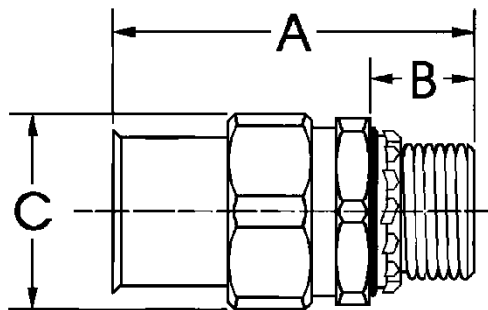
**Reference standards:**



**Suitable conduits:**

SILVYN® CNP

**Product drawing:**



**Dimension table:**

Part No.	NW	Thread	Thread length B mm	Length A mm	SW	Weight g
5550 0400	3/8"	NPT 1/2"	15	55	27	102
5550 0410	1/2"	NPT 1/2"	15	66	32	147
5550 0420	3/4"	NPT 3/4"	15	66	39	202
5550 0430	1"	NPT 1"	18	73	45	292
5550 0440	1 1/4"	NPT 1 1/4"	19	87	59	540
5550 0450	1 1/2"	NPT 1 1/2"	19	87	67	630
5550 0460	2"	NPT 2"	19	101	82	1080

For more information please see our current catalogue. Please do not hesitate to contact our laboratory if there are any questions regarding resistance against aggressive agents and special oil.

Creator: MAU1/PDP Released: DAMU1/PDP	Document: DB55500400EN Version: 03	Page 1 of 1
--	---------------------------------------	-------------