

Art. Nr. 54 113 180	DATA SHEET	
Valid from: 08.12.2020	SKINTOP® FIBER	

The SKINTOP® FIBER is the cable gland for optical fibers. It consists of a gland body, a cap nut, a special sealing component along with an insertion aid. Up to 12 optical fibers can be incorporated into the sealing at the same time. The slit sealing provides the possibility to insert pre-assembled optical fibres. The soft rubber of the sealing ensures a gentle fixation of the fibre. The removal part offers an easy and safety solution to remove and assemble the sealing component into the gland body.



Material:

Gland body	polyamide
Cap nut	polyamide
Sealing insert	EPDM
Removal part	polyamide
Counter nut	reinforced polyamide

Technical Features:

Connecting thread	M32x1,5 acc. to EN 60423
Protection class	IP66 acc. to DIN EN 60529*
Strain relief	retention acc. to DIN EN 62444
Temperature range	-20°C up to +100°C
Ozone resistance	Resistant acc. to EN 50363-2-1:2005 method A and B
UV resistance	Resistant acc. to DIN EN 50618 (VDE 0283-618)

Colour:

Light-grey RAL 7035



Approbation:

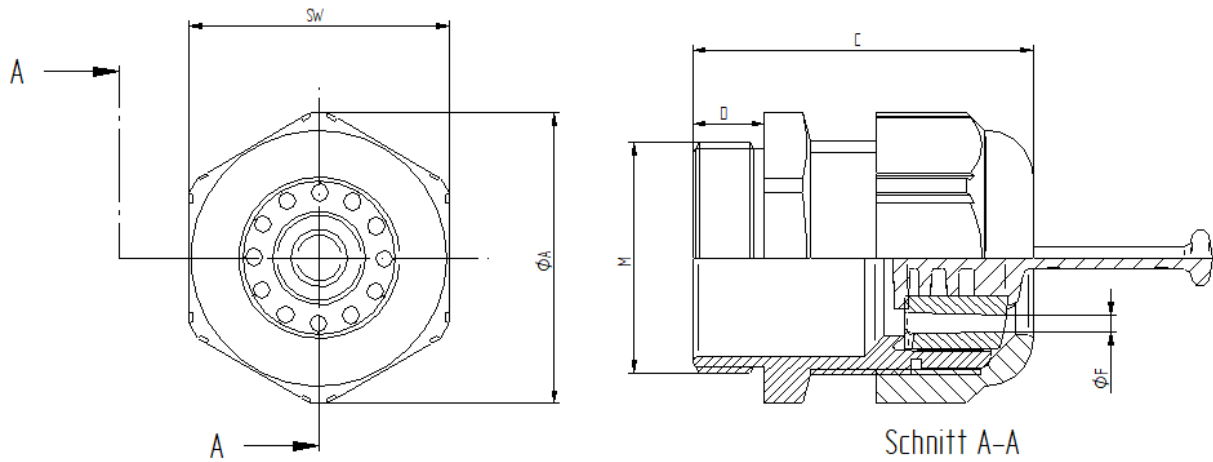
*If not or fully equipped with fibers

For more information please see our current catalogue. Please do not hesitate to contact our laboratory if there are any questions regarding resistance against aggressive agents and special oil.

Creator: MASC10/PDP Released: DAMU1/PDP	Document: DB54113180EN Version: 01	Page 1 of 2
--	---------------------------------------	-------------

Art. Nr. 54113180	DATA SHEET	
Valid from: 08.12.2020	SKINTOP® FIBER	

Technical drawing:



Thread M	SW [mm]	A [mm]	C [mm]	D [mm]	F [mm]	Art. Nr.
32x1,5	36	40,3	39 - 47	10	0 - 3*	54113180

*If fully or not equipped with cables

For more information please see our current catalogue. Please do not hesitate to contact our laboratory if there are any questions regarding resistance against aggressive agents and special oil.

Creator: MASC10/PDP Released: DAMU1/PDP	Document: DB54113180EN Version: 01	Page 2 of 2
--	---------------------------------------	-------------