

54113100	DATA SHEET	
Valid from: 03.07.2018	SKINTOP® SD-M	

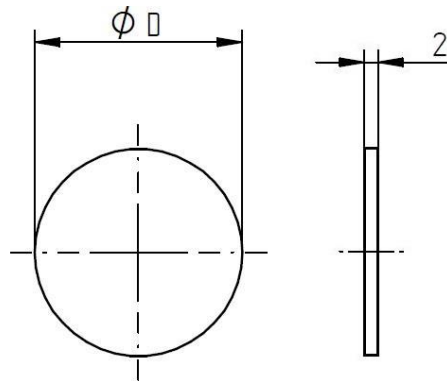
The SKINTOP® SD-M, a polyethylene foam dust seal is used for all assembly work in which the cable connection is made later and the inside of the housing must also be protected against moisture, dust, dirt and foreign bodies. Fixing is simple, nothing is to take apart, just push the cable through.



Technical features:

Material	Polyethylene foam
Sizes	M12 up to M63
Color	Black

Norm references:



Size	Ø D [mm]	Article No.
M12	11,5	54113100
M16	15	54113110
M20	20	54113120
M25	25	54113130
M32	30	54113140
M40	40	54113150
M50	49	54113160
M63	58	54113170

For more information please see our current catalogue. Please do not hesitate to contact our laboratory if there are any questions regarding resistance against aggressive agents and special oil.

Creator: T. Dvoulety /PDP Released: DAMU1/PDP	Document: DB54113100EN Version: 01	Page 1 of 1
--	---------------------------------------	-------------