


53806780	DATA SHEET	
Valid from: 02.12.2021	SKINTOP® INOX NPT / INOX-R NPT	

Hygienically designed cable gland from high-grade stainless steel is suitable for an extremely wide variety of applications – including the food and pharmaceutical industries. The material and shape meet the high requirements of these sectors. The smooth design minimizes the accumulation of moisture, dust, contamination or food residue.

The cable gland also offers great benefits for other applications, where the ambient conditions are harsh, such as those sited offshore. The compact design, the variable clamping range and the same wrench sizes simplify installation.



Cable gland components:

Gland body	Stainless steel – V4A (1.4404 / 316L)
Cap nut	Stainless steel – V4A (1.4404 / 316L)
Insert with lamellar cage	Polyamide
Sealing ring	Silicone
O-ring	Silicone

Technical features:

Installations thread	NPT 1/4" up to 1 1/2" acc. to ASME B1.20.1-2013
Protection class	IP68 – 5 bar, test acc. to EN 60529 IP69 acc. to EN 60529 (in evaluation) NEMA Type 1, Type 2, Type 4X, Type 6, Type 12 acc. to UL50E
Temperature range	-40 °C up to +100 °C

Other characteristics:

- Halogen-free
- Functional safety
- Optimal strain relief
- Variable clamping range

Approvals:



UL File Nr. 79903
(Test in acc. to UL514B)








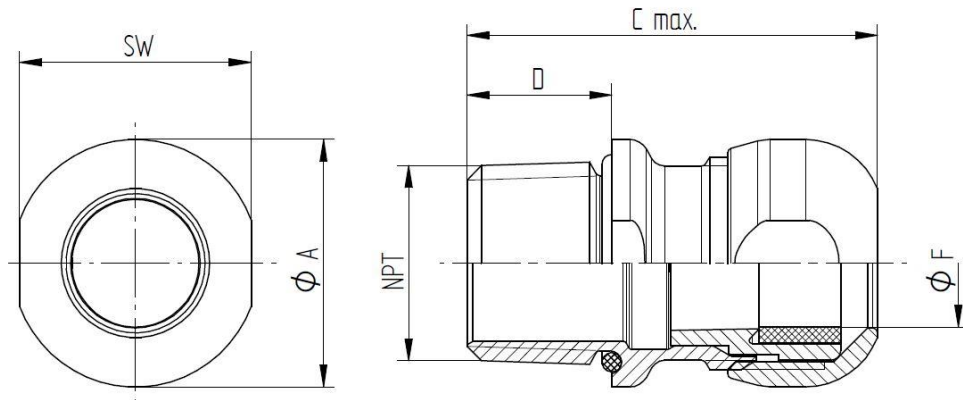
Norm references:

- DIN EN ISO 14159 **Safety** of machinery – Hygiene requirements for the design of machinery
- DIN EN 1672-2 Food processing machinery – Basic concepts - Part 2: Hygiene requirements



Creator: HYDO1/PDP Released: DAMU1/PDP	Document: DB53806780EN Version: 06	Page 1 of 2
---	---------------------------------------	-------------

53806780	DATA SHEET	
Valid from: 02.12.2021	SKINTOP® INOX NPT / INOX-R NPT	



SKINTOP INOX NPT

NPT	SW [mm]	Ø A [mm]	C max. [mm]	D [mm]	Ø F [mm] Clamping range	O-ring [mm]	Article No.
NPT 1/4"	16	17,2	37,8	15	4 - 7	9 x 2	53806778
NPT 3/8"	20	21,4	40,4	15	6 - 10	13 x 2	53806779
NPT 1/2"	24	25,6	42,5	15	7 - 13	17 x 2	53806780
NPT 3/4"	29	30,8	46,2	15	9 - 17	22 x 2	53806781
NPT 1"	36	38,2	50,6	15	11 - 21	28 x 2	53806782
NPT 1 1/4"	45	48,0	59,2	17	19 - 28	36 x 2	53806783
NPT 1 1/2"	54	58,0	63,2	17	27 - 35	43 x 2,5	53806784

SKINTOP INOX-R NPT

NPT	SW [mm]	Ø A [mm]	C max. [mm]	D [mm]	Ø F [mm] Clamping range	O-ring [mm]	Article No.
NPT 1/4"	16	17,2	37,8	15	3 - 5	9 x 2	53806796
NPT 3/8"	20	21,4	40,4	15	5 - 7	13 x 2	53806797
NPT 1/2"	24	25,6	42,5	15	6 - 10	17 x 2	53806798
NPT 3/4"	29	30,8	46,2	15	7 - 13	22 x 2	53806799
NPT 1"	36	38,2	50,6	15	8 - 15	28 x 2	53806800
NPT 1 1/4"	45	48,0	59,2	17	15 - 23	36 x 2	53806801
NPT 1 1/2"	54	58,0	63,2	17	22 - 29	43 x 2,5	53806702

For more information please see our current catalogue. Please do not hesitate to contact our laboratory if there are any questions regarding resistance against aggressive agents and special oil.

Creator: HYD01/PDP Released: DAMU1/PDP	Document: DB53806780EN Version: 06	Page 2 of 2
---	---------------------------------------	-------------