


| | | |
|---------------------------|--------------------------|-------------------------------------------------------------------------------------|
| 53119200 | DATA SHEET |  |
| Valid from: 03.12.2020 | SKINTOP® GMP-HF-M | |

The SKINTOP® GMP-HF-M, a hexagonal locknut of special halogen-free polyamide, is used where cable glands are attached but there is only a pass-through hole. When the cable gland is fixed in a thread, a higher protection against vibration can be attained with this locknut.



Material: Polyamide

Technical Features:

Connecting thread M12x1,5 up to M63x1,5 acc. to EN 60423

Additional features:

Fire Classification V0 acc. to UL 94
 Flame-retardant Yes
 Self-extinguishing Yes

Temperature range: -20°C up to +100°C

Colour: RAL 7035, Light-grey
 RAL 9005, black


Approbation:

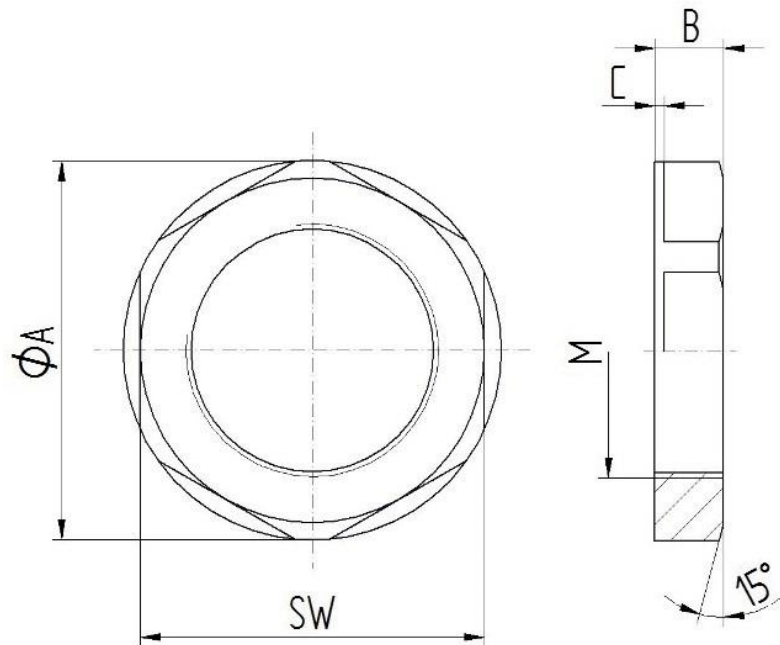


Norm Reference: EN 60423

Suitable cable glands: SKINTOP® ST-HF-M

| | | |
|------------------------------------------|---------------------------------------|-------------|
| Creator: MAU1/PDP Released: DAMU1/PDP | Document: DB53119200EN Version: 04 | Page 1 of 2 |
|------------------------------------------|---------------------------------------|-------------|

| | | |
|---------------------------|--------------------------|-------------------------------------------------------------------------------------|
| 53119200 | DATA SHEET |  |
| Valid from: 03.12.2020 | SKINTOP® GMP-HF-M | |



| M | SW mm | Ø A mm | B mm | C mm | Part No. | |
|---------|----------|-----------|---------|---------|----------|----------|
| | | | | | RAL 7035 | RAL 9005 |
| M12x1,5 | 17 | 18,7 | 5 | 0,8 | 53119200 | 53119205 |
| M16x1,5 | 22 | 24,2 | 5 | 0,8 | 53119210 | 53119215 |
| M20x1,5 | 27 | 29,7 | 6 | 0,9 | 53119220 | 53119225 |
| M25x1,5 | 34 | 37,4 | 6 | 0,9 | 53119230 | 53119235 |
| M32x1,5 | 41 | 45,1 | 7 | 1 | 53119240 | 53119245 |
| M40x1,5 | 50 | 55 | 7 | 1 | 53119250 | 53119255 |
| M50x1,5 | 60 | 66 | 8 | 1,2 | 53119260 | 53119265 |
| M63x1,5 | 75 | 82,5 | 8 | 1,2 | 53119270 | 53119275 |

For more information please see our current catalogue. Please do not hesitate to contact our laboratory if there are any questions regarding resistance against aggressive agents and special oil.

| | | |
|------------------------------------------|---------------------------------------|-------------|
| Creator: MAU1/PDP Released: DAMU1/PDP | Document: DB53119200EN Version: 04 | Page 2 of 2 |
|------------------------------------------|---------------------------------------|-------------|