


53113700	DATA SHEET	
Valid from: 02.12.2021	SKINTOP® COLD NPT / COLD-R NPT	

The SKINTOP® COLD NPT / COLD-R NPT is a nickel-plated brass cable gland with NPT connecting thread which combines high quality in regard to consistency and reliability. This non-halogen gland is especially designed for use in application areas with a very high demand on mechanical stability and cold resistance, for example the air conditioning technology (freezing plants, cold stores...) and the Off-Shore-Area.



Material:

Gland body	Brass, nickel-plated
Cap nut	Brass, nickel-plated
Insert with lamellar cage	Special polyamide
Sealing ring	Silicone
O-ring	Silicone

Technical features:

Connecting thread	NPT 1/4" up to NPT 2" in acc. to ANSI/ASME B1.20.1-2013	
Protection class	Sizes NPT 1/4"; 3/8"; 1/2":	IP68 – 10 bar, test acc. to EN 60529
	Sizes NPT 3/4" – 2":	IP68 – 5 bar, test acc. to EN 60529
NEMA Type Rating	Type 1, Type 2, Type 4X, Type 6, Type 12	
Strain relief	Category A	
Design	COLD NPT	Standard
	COLD NPT-R	with reducing sealing ring (for smaller cable diameters)
Temperature range	-70° C up to + 100° C	

Additional features:

- Maximum reliability
- Strain relief
- Large, variable clamping ranges
- High cold resistance
- Cold impact resistance
- Mechanical stability
- Ozone resistance
- UV-resistance
- Oil-resistance
- Halogen Free

Approbation:



UL File Nr. 79903
(Test in acc. to UL514B)

Reference standards:

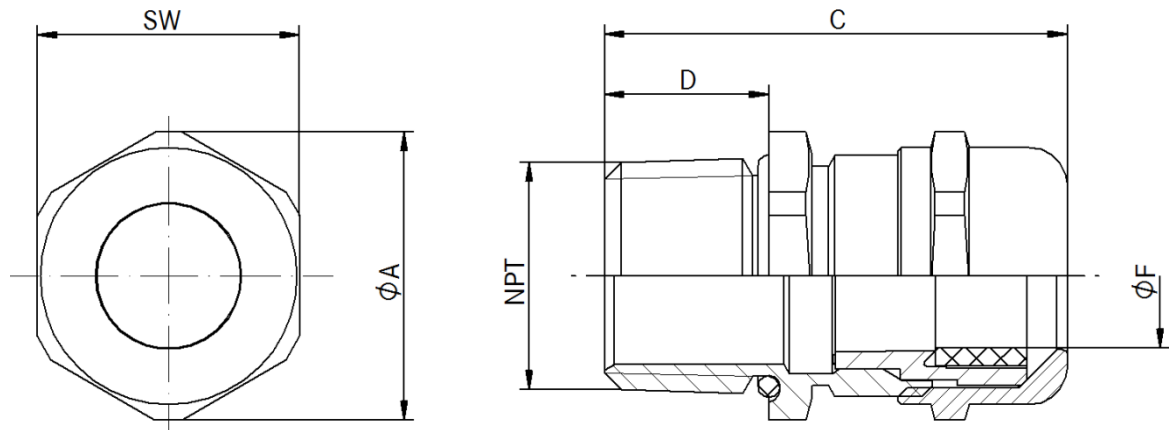


Suitable accessories:

SKINDICHT® SM-NPT

Creator: HYD01/PDP Released: DAMU1/PDP	Document: DB53113700EN Version: 03	Page 1 of 2
---	---------------------------------------	-------------

Technical drawings:



SKINTOP® COLD NPT

NPT	SW [mm]	Ø A [mm]	C [mm]	D [mm]	Ø F [mm] Clamping range	O-Ring [mm]	Article No.
NPT 1/4"	16	17,6	36	15	4,0–7,0	9x2	53113700
NPT 3/8"	20	22,0	39,7	15	5,0–10,0	13x2	53113701
NPT1/2"	24	26,4	42,5	15	7,0–13,0	17x2	53113702
NPT 3/4"	29	31,9	44,5	15	9,0–17,0	22x2	53113703
NPT 1"	36	39,6	49	15	11,0–21,0	28x2	53113704
NPT 1 1/4"	45	49,5	57,5	17	19,0–28,0	36x2	53113705
NPT 1 1/2"	54	59,0	61,5	17	27,0–35,0	46x2	53113706
NPT 2"	67	73,5	63,5	17	34,0–45,0	57x2	53113707

SKINTOP® COLD-R NPT

NPT	SW [mm]	Ø A [mm]	C [mm]	D [mm]	Ø F [mm] Clamping range	O-Ring [mm]	Article No.
NPT 1/4"	16	17,6	36	15	3,0–5,0	9x2	53113710
NPT 3/8"	20	22,0	39,7	15	4,5–7,0	13x2	53113711
NPT1/2"	24	26,4	42,5	15	6,0–10,0	17x2	53113712
NPT 3/4"	29	31,9	44,5	15	7,0–13,0	22x2	53113713
NPT 1"	36	39,6	49	15	8,0–15,0	28x2	53113714
NPT 1 1/4"	45	49,5	57,5	17	15,0–23,0	36x2	53113715
NPT 1 1/2"	54	59,0	61,5	17	22,0–29,0	46x2	53113716
NPT 2"	67	73,5	63,5	17	28,0–39,0	57x2	53113717

For more information please see our current catalogue. Please do not hesitate to contact our laboratory if there are any questions regarding resistance against aggressive agents and special oil.