

53112780	DATA SHEET	
Valid from: 03.07.2018	SKINTOP® MS-IS-M	

The SKINTOP® MS-IS-M is a nickel-plated brass cable gland with short metric connecting thread which combines high quality regarding consistency and reliability. It is especially designed for use on industrial connectors.



Components:

Gland body	Brass, nickel-plated
Cap nut	Brass, nickel-plated
Insert with lamellar cage	Polyamide
Sealing ring	CR
O-ring	NBR

Technical features:

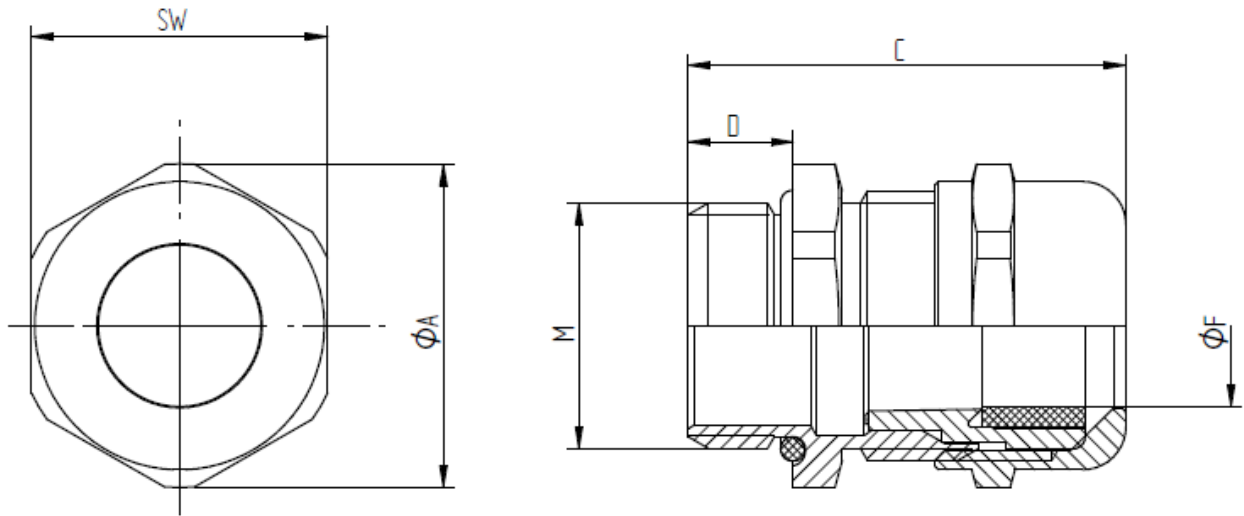
Connecting thread	M25x1,5 and M32x1,5 acc. to EN 60423
Protection class	IP68 - 10 bar, test acc. to EN 60529
Temperature range	-30 °C up to +100 °C

Norm references:



Creator: T. Dvoulety /PDP Released: DAMU1/PDP	Document: DB53112780EN Version: 01	Page 1 of 2
--	---------------------------------------	-------------

53112780	DATA SHEET	
Valid from: 03.07.2018	SKINTOP® MS-IS-M	



M	SW [mm]	Ø A [mm]	C max. [mm]	D [mm]	Ø F [mm] Clamping range	O-ring [mm]	Article No.
M25x1,5	30	33,5	37	5	11-18	22x2	53112780
M32x1,5	40	43,5	43	5	16-25	28x2	53112790

For more information please see our current catalogue. Please do not hesitate to contact our laboratory if there are any questions regarding resistance against aggressive agents and special oil.

Creator: T. Dvoulety /PDP Released: DAMU1/PDP	Document: DB53112780EN Version: 01	Page 2 of 2
--	---------------------------------------	-------------