

53112543	DATA SHEET	
Valid from: 03.07.2018	SKINTOP® MS-HF-M BRUSH	

The SKINTOP® MS-HF-M BRUSH a nickel-plated brass cable gland especially designed for copper-screened cables, used to achieve a low-resistance screen contact, strain relief and high protection class.
The SKINTOP® MS-HF-M BRUSH contacts the screen much faster than any other system.



Components:

Gland body	Brass, nickel-plated
Cap nut	Brass, nickel-plated
Insert with lamellar cage	Polyamide, Halogen free V0 (acc. to UL 94)
Seal insert for the lamellar cage	Special Elastomer Halogen free, flame retardant
Contact brush	Brass wire
O-ring	Special Elastomer Halogen free, flame retardant

Technical features:

Connecting thread	M25x1.5 up to M63x1.5 acc. to EN 60423
Protection class	IP68 – 10 bar, test acc. to EN 60529 IP69 acc. to EN 60529
Temperature range	Dynamic -25 °C up to +100 °C Statically -40 °C up to +100 °C
Transfer impedance	≤ 10 mOhm
Corrosion-protection class	C4

Norm Reference:



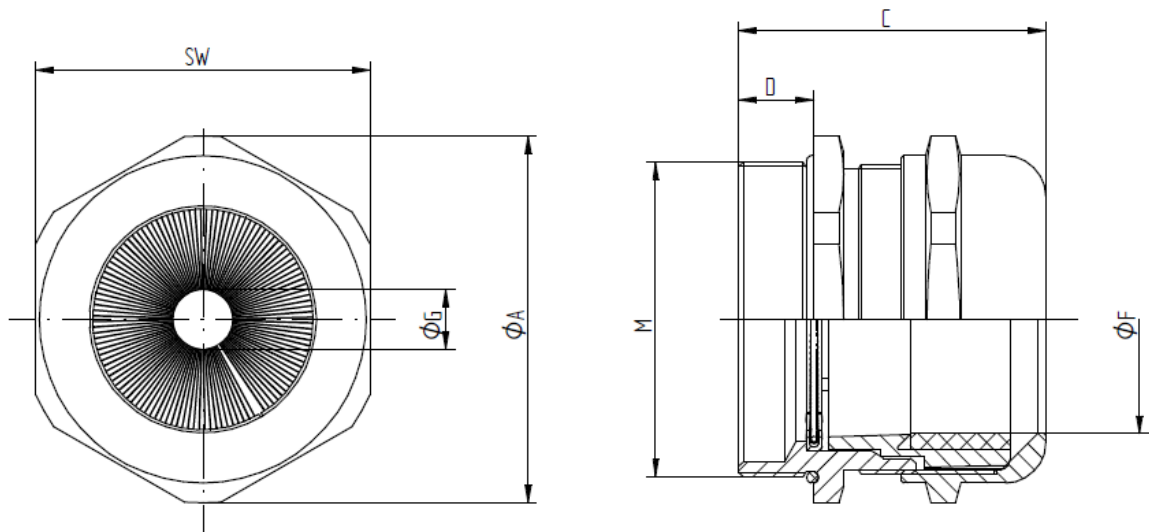
Tested in according to:

DIN EN 45545-2: 2013-08
 “Railway applications – Fire protection to railway vehicles – Part 2: Requirements for fire behavior of materials and components.”
 Test result: Hazard Level **HL3** acc. to DIN EN ISO 4589-2: 2006-06

DIN EN 45545-3: 2013-08
 „Railway applications – Fire protection to railway vehicles – Part 3: Fire resistance requirements for fire barriers.“
 Classification: **E30** acc. to DIN EN 13501-2: 2010-02

Creator: M. Wegerer /PDP Released: DAMU1/PDP	Document: DB53112543EN Version: 02	Page 1 of 2
---	---------------------------------------	-------------

53112543	DATA SHEET	
Valid from: 03.07.2018	SKINTOP® MS-HF-M BRUSH	



M	SW [mm]	ϕA [mm]	C max. [mm]	D [mm]	ϕF [mm] Clamping range	ϕG [mm] over braiding	O-Ring [mm]	Article No.
M25x1,5	29	31,9	36,0	8	9-17	6-13,5	22x2	5311 2543
M32x1,5	36	39,6	42,2	9	11-21	8-18	28x2	5311 2544
M40x1,5	45	49,5	49,5	9	19-28	10-26	36x2	5311 2545
M50x1,5	54	59,0	52,0	10	27-35	14-36	46x2	5311 2546
M63x1,5	67	73,5	61,3	15	34-45	20-40	57x2	5311 2547

Recommended torque rates in acc. to EN 62444:

Size	Torque [Nm]
M25x1,5	12
M32x1,5	18
M40x1,5	18
M50x1,5	20
M63x1,5	20

For more information please see our current catalogue. Please do not hesitate to contact our laboratory if there are any questions regarding resistance against aggressive agents and special oil.

Creator: M. Wegerer /PDP Released: DAMU1/PDP	Document: DB53112543EN Version: 02	Page 2 of 2
---	---------------------------------------	-------------