


53016610	DATA SHEET	
Valid from: 23.11.2021	SKINTOP® BS NPT	

The SKINTOP® BS NPT with polyamide spiral strain relief, is particularly used for flexible cables a handheld equipment, moving machine parts and in many applications of the instrument industry.
The SKINTOP® BS NPT with spiral affords protection against conductor damage.



Components:

Gland body	Polyamide
Cap nut with integrated spiral	Polyamide
Sealing ring	CR

Technical features:

Connecting thread	NPT 3/8“up to NPT 3/4“acc. to ANSI/ASME B1.20.1-1983.
Functional thread	Multi-start trapezoidal thread
Protection class / NEMA Type Rating	IP68 - 5 bar, test acc. to EN 60529 NEMA Type 1 und Type 12
Strain relief	in acc. to DIN 62444
Temperature range	-20°C up to +100°C
Colour	RAL 7001 silver-grey RAL 9005 black, UV-resistant

Approvals:




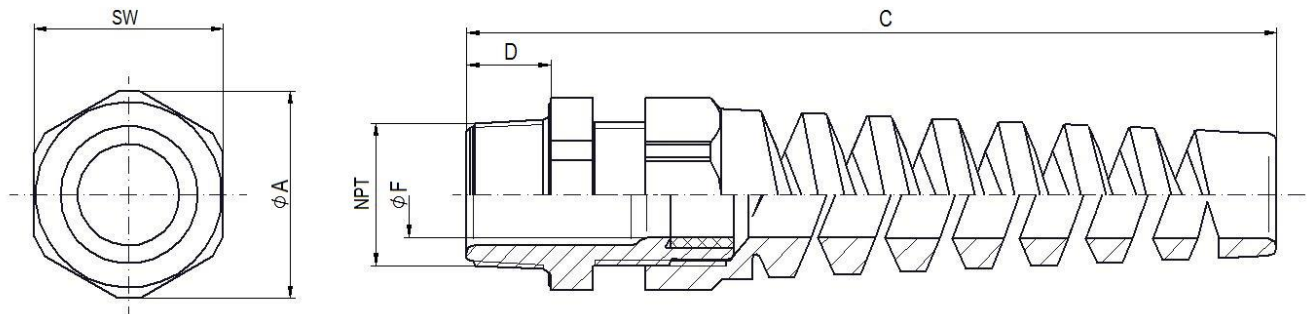
UL File Nr. E79903 (Test in acc. to UL514B)

Norm references:



Creator: MAU1 /PDP Released: DAMU1/PDP	Document: DB53016610EN Version: 04	Page 1 of 2
---	---------------------------------------	-------------

53016610	DATA SHEET	
Valid from: 23.11.2021	SKINTOP® BS NPT	



NPT	SW [mm]	Ø A [mm]	C [mm]		D [mm]	Ø F [mm] Clamping range	Article No.	
			min.	max.			RAL 7001	RAL 9005
NPT 3/8"	19	21,0	74,0	80,5	15	3,5-8	53016610	53016810
NPT 1/2"	24	26,5	96,5	104,0	15	5-12	53016630	53016830
NPT 3/4"	33	36,0	126,0	133,0	15	13-18	53016650	53016850

For more information please see our current catalogue. Please do not hesitate to contact our laboratory if there are any questions regarding resistance against aggressive agents and special oil.

Creator: MAU1 /PDP Released: DAMU1/PDP	Document: DB530166 10EN Version: 04	Page 2 of 2
---	--	-------------