
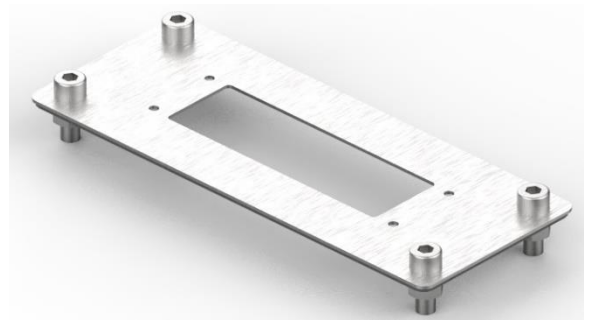


52220030	<b>DATA SHEET</b>	
Valid from: 29.08.2022	<b>SKINTOP® MULTI FLANGE FL21 / FL21+M25</b>	

A flange plate with an attached gasket. The outer dimensions are in accordance with the Swedish standard SEN 28 09 01. The inner opening is suited for the SKINTOP® MULTI and SKINTOP® CUBE. In the second version, in addition to a multiple entry an additional M25 gland can be mounted.



### Single parts:

Flange	Steel, powder coated (RAL7035) / V2A-steel
Gasgekt	NBR-SBR
Fastening material	Screws, washer, locknut

### Technical Features:

Layout	FL21 acc. SEN 28 09 01
Protection class	IP66 acc. to DIN EN 60529*
Temperature range	-10°C up to +70°C (short-term 90°C)

### Approbation:



### Reference Standards:


DIN EN 60529

### Suitable accessories:

SKINTOP® MULTI  
SKINTOP® CUBE  
SKINTOP® Cable Gland M25

\*IP-class can only be achieved if used with a correctly mounted accessory.

Creator: MASC10/PDP Released: DAMU1/PDP	Document: DB52220030EN Version: 02	Page 1 of 3
--	---------------------------------------	-------------

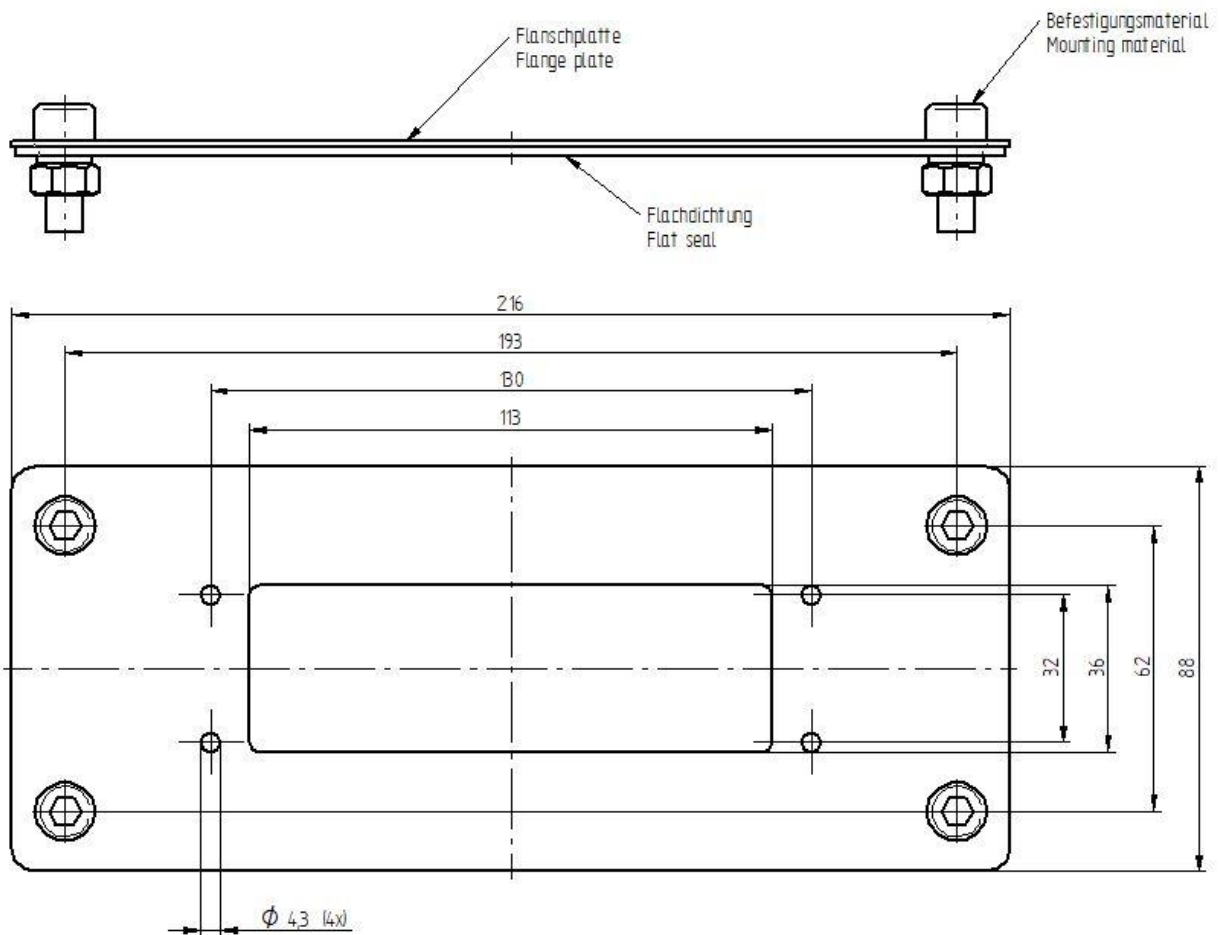
52220030	<b>DATA SHEET</b>	
Valid from: 29.08.2022	<b>SKINTOP® MULTI FLANGE FL21 / FL21+M25</b>	


**Type versions:**

Identification	Size	Material	Colour	Recess
52220030	FL21	<i>Powder coated steel</i>	RAL7035	SKINTOP MULTI / SKINTOP CUBE
52220031	FL21	<i>Stainless steel</i>	<i>Rolled stainless steel</i>	SKINTOP MULTI / SKINTOP CUBE
52220032	FL21	<i>Powder coated steel</i>	RAL7035	SKINTOP MULTI + M25 / SKINTOP CUBE + M25
52220033	FL21	<i>Stainless steel</i>	<i>Rolled stainless steel</i>	SKINTOP MULTI + M25 / SKINTOP CUBE + M25

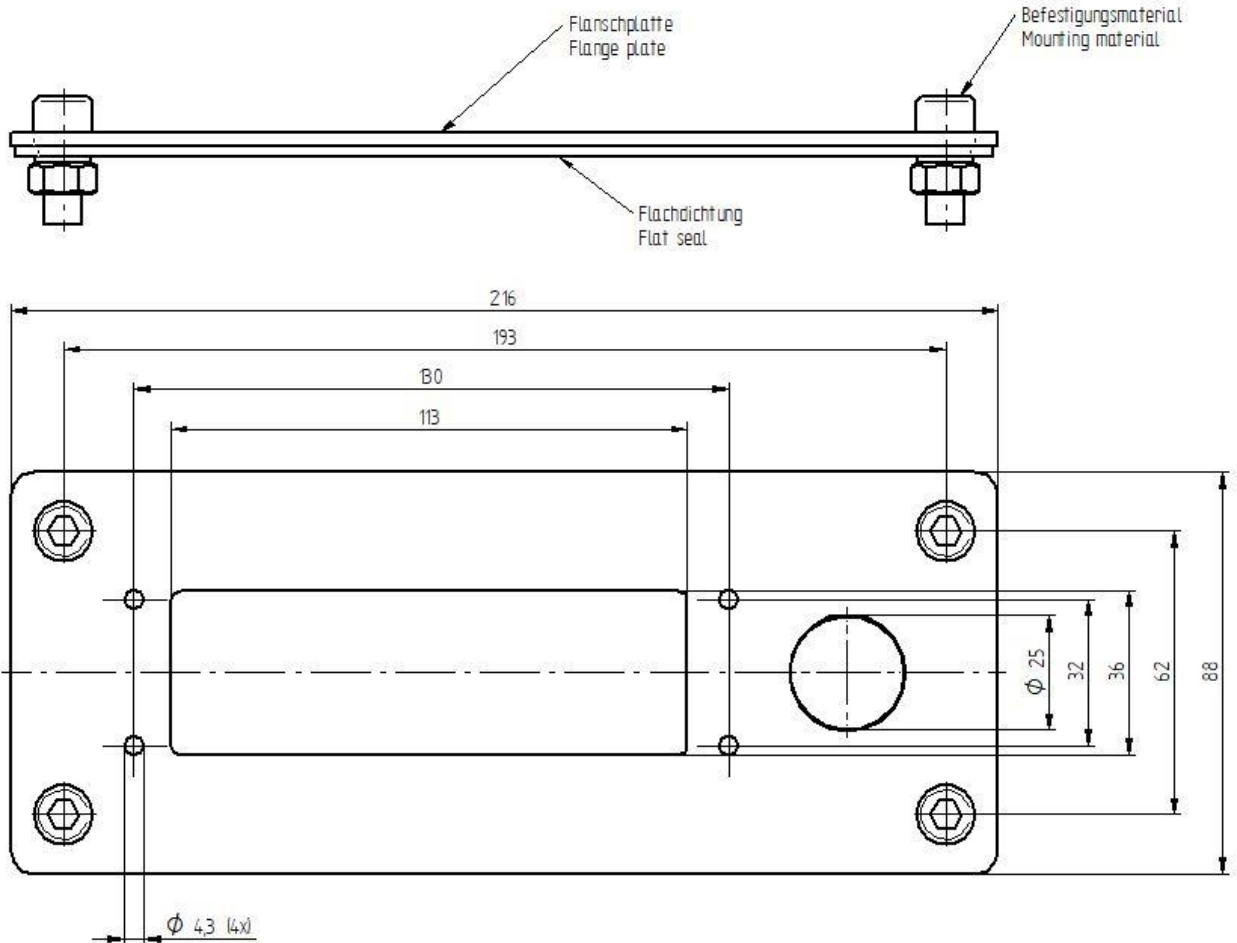
**Dimensions:**

SKINTOP MULTI FLANSCH FL21 RAL7035 / V2A



52220030	<b>DATA SHEET</b>	
Valid from: 29.08.2022	<b>SKINTOP® MULTI FLANGE FL21 / FL21+M25</b>	

SKINTOP MULTI FLANSCH FL21 + M25 RAL7035 / V2A



For more information please see our current catalogue. Please do not hesitate to contact our laboratory if there are any questions regarding resistance against aggressive agents and special oil.

Creator: MASC10/PDP Released: DAMU1/PDP	Document: DB52220030EN Version: 02	Page 3 of 3
--	---------------------------------------	-------------