


|                           |                           |   |
|---------------------------|---------------------------|---|
| 52104490                  | <b>DATA SHEET</b>         |  |
| Valid from:<br>14.04.2023 | <b>SKINDICHT® MA-PG/M</b> |   |

The SKINDICHT® MA-PG/M is a reducer from an outer PG-thread to an inner metric thread.



### Components

|          |                      |                                |
|----------|----------------------|--------------------------------|
|          | <b>Brass</b>         | <b>brass lead-free</b>         |
| Material | brass, nickel-plated | brass lead-free, nickel-plated |


### Technical features:

|                   |  |
|-------------------|--|
| External thread   | PG7 up to PG36 acc. to DIN 40430       |
| Internal thread   | M12x1.5 up to M40x1.5 acc. to EN 60423 |
| Design            | Form A Knurl<br>Form B Smooth          |
| Temperature range | -60°C up to +200°C                     |

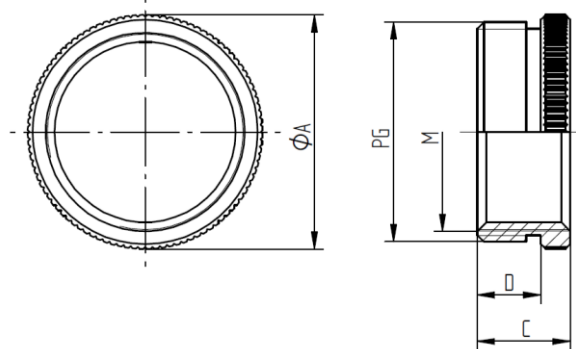
### Norm references:



|  |                                       |             |
|--|---------------------------------------|-------------|
| Creator: M. Wegerer PDP<br>Released: DAMU1/PDP | Document: DB52104490EN<br>Version: 04 | Page 1 of 2 |
|--|---------------------------------------|-------------|

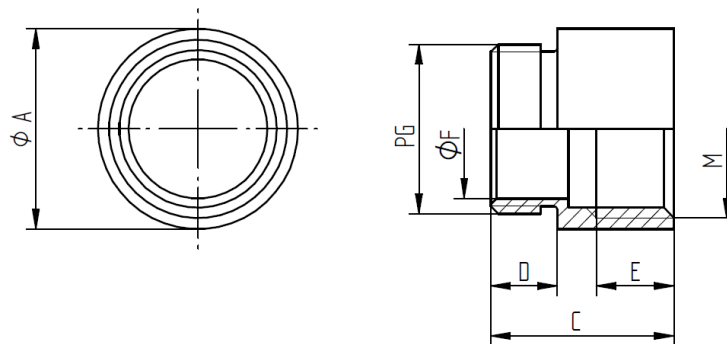
|                           |                           |   |
|---------------------------|---------------------------|---|
| 52104490                  | <b>DATA SHEET</b>         |  |
| Valid from:<br>14.04.2023 | <b>SKINDICHT® MA-PG/M</b> |   |

**SKINDICHT® MA-PG/M Form A**



| External thread PG | Internal thread M | Diameter<br>$\phi A$<br>mm | Length<br>C<br>mm | Thread length<br>D<br>mm | Part No.<br>brass | Part No.<br>brass lead-free |
|--------------------|-------------------|----------------------------|-------------------|--------------------------|-------------------|-----------------------------|
| PG 11              | M16x1.5           | 20                         | 8,5               | 6                        | 52104492          | 52104492LF                  |
| PG 16              | M20x1.5           | 24                         | 9,5               | 6,5                      | 52104495          | 52104495LF                  |
| PG 21              | M20x1.5           | 30                         | 10                | 7                        | 52104497          | 52104497LF                  |
| PG 21              | M25x1.5           | 30                         | 10                | 7                        | 52104498          | 52104498LF                  |
| PG 29              | M25x1.5           | 39                         | 11,5              | 8                        | 52104500          | -                           |
| PG 29              | M32x1.5           | 39                         | 11,5              | 8                        | 52104501          | -                           |
| PG 36              | M40x1.5           | 50                         | 12,5              | 9                        | 52104503          | -                           |

**SKINDICHT® MA-PG/M Form B**



| External thread PG | Internal thread M | Diameter<br>$\phi A$<br>mm | Length<br>C<br>mm | Thread length<br>D<br>mm | Thread length<br>E<br>mm | Diameter<br>$\phi F$<br>mm | Part No.<br>brass | Part No.<br>brass lead-free |
|--------------------|-------------------|----------------------------|-------------------|--------------------------|--------------------------|----------------------------|-------------------|-----------------------------|
| PG 7               | M12x1,5           | 14                         | 15                | 5                        | 6                        | 10                         | 52104490          | 52104490LF                  |
| PG 9               | M16x1,5           | 18                         | 16,5              | 6                        | 7                        | 12,5                       | 52104491          | 52104491LF                  |
| PG 11              | M20x1,5           | 22                         | 18,5              | 6                        | 8,5                      | 15                         | 52104493          | 52104493LF                  |
| PG 13,5            | M20x1,5           | 22                         | 19                | 6,5                      | 8,5                      | 17                         | 52104494          | 52104494LF                  |
| PG 16              | M25x1,5           | 27                         | 21                | 6,5                      | 8,5                      | 18,5                       | 52104496          | 52104496LF                  |
| PG 21              | M32x1,5           | 34                         | 23                | 7                        | 10                       | 24                         | 52104499          | 52104499LF                  |
| PG 29              | M40x1,5           | 42                         | 25,5              | 8                        | 11                       | 32                         | 52104502          | 52104502LF                  |

For more information please see our current catalogue. Please do not hesitate to contact our laboratory if there are any questions regarding resistance against aggressive agents and special oil.

|  |                                       |             |
|--|---------------------------------------|-------------|
| Creator: M. Wegerer PDP<br>Released: DAMU1/PDP | Document: DB52104490EN<br>Version: 04 | Page 2 of 2 |
|--|---------------------------------------|-------------|