


52101965	<b>DATA SHEET</b>	
Valid from: 14.04.2023	<b>SKINDICHT® MR-M hexagonal</b>	

The SKINDICHT® MR-M hexagonal is a brass reducer with guide way for O-Ring (thread undercut). The Reducers enables the use of cable glands with smaller outer threads than the existing threaded holes on machinery, devices and housings.



### Components:

Material	Brass, nickel-plated Brass lead free, nickel-plated
O-ring	NBR (on request FKM)


### Technical features:

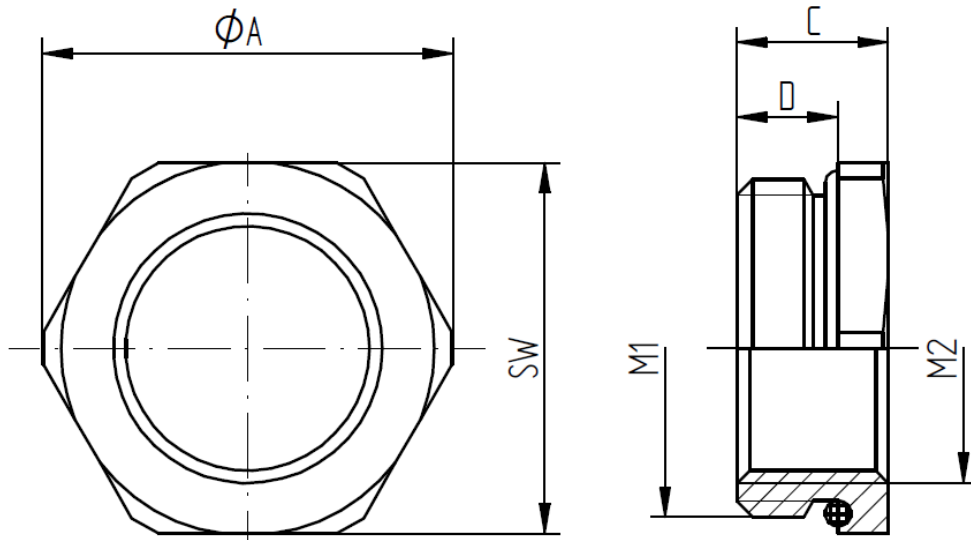
External thread	M16x1.5 up to M80x2 acc. to EN 60423
Internal thread	M12x1.5 up to M63x1.5 acc. to EN 60423
Temperature range	-30 °C up to +100 °C
Protection class	IP68 – 5 bar, test acc. to EN 60529

### Norm references:



Creator: M. Wegerer /PDP Released: DAMU1/PDP	Document: DB52101965EN Version: 08	Page 1 of 2
---	---------------------------------------	-------------

52101965	<b>DATA SHEET</b>	
Valid from: 14.04.2023	<b>SKINDICHT® MR-M hexagonal</b>	



External thread M1	Internal thread M2	SW [mm]	Ø A [mm]	C [mm]	D [mm]	Article No.	
						Brass	Brass lead free
M16x1,5	M12x1,5	18	20,2	8,5	5,5	52101965	52101965LF
M20x1,5	M16x1,5	22	24,4	9	6	52101966	52101966LF
M25x1,5	M16x1,5	28	31,2	10	6,5	52101967	52101967LF
M25x1,5	M20x1,5	28	31,2	10	6,5	52101968	52101968LF
M32x1,5	M16x1,5	36	40	11,5	8	52101969	-
M32x1,5	M20x1,5	36	40	11,5	8	52101972	-
M32x1,5	M25x1,5	36	40	11,5	8	52101973	52101973LF
M40x1,5	M25x1,5	43	47,5	12,5	8,5	52101974	-
M40x1,5	M32x1,5	43	47,5	12,5	8,5	52101975	-
M50x1,5	M40x1,5	54	58	14	10	52101976	-
M63x1,5	M50x1,5	67	73,5	14	9,5	52101977	-
M75x1,5	M63x1,5	80	90	17	11	52101979	-
M80x2	M63x1,5	85	93,5	23	15	52006563	-

For more information please see our current catalogue. Please do not hesitate to contact our laboratory if there are any questions regarding resistance against aggressive agents and special oil.

Creator: M. Wegerer /PDP Released: DAMU1/PDP	Document: DB52101965EN Version: 08	Page 2 of 2
---	---------------------------------------	-------------