


52032585	DATA SHEET	
Valid from: 26.03.2021	SKINDICHT® SM-M INOX	

The SKINDICHT® SM-M INOX is a chromium nickel steel hexagonal counter nut with metric thread. It is suitable for applications under tough conditions, e.g. in the pharmaceutical, petrochemical industry (aggressive media) as well as offshore and food area.

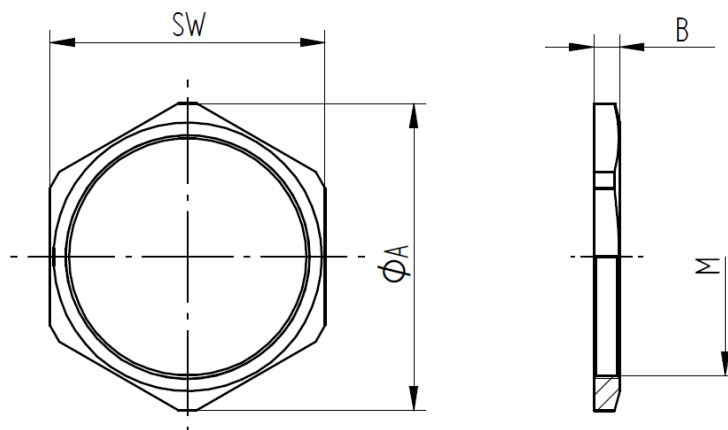
Counter nuts are required in cases if glands have to be countered or thin housings allow only through-holes.



Technical features:

Material	Stainless steel 1.4305 (V2A)
Sizes	M12x1,5 up to M63x1,5 acc. to DIN EN 60423
Temperature range	-60°C up to +200°C

Norm references:



M	SW [mm]	Ø A [mm]	B [mm]	Article No.
M12x1,5	15	16,5	2,8	52032585
M16x1,5	19	20,9	2,8	52032615
M20x1,5	24	26,7	3	52032625
M25x1,5	30	33	3,5	52032635
M32x1,5	36	39	4	52032645
M40x1,5	46	50	5	52032655
M50x1,5	55	60	5	52032665
M63x1,5	70	78	6	52032675

For more information please see our current catalogue. Please do not hesitate to contact our laboratory if there are any questions regarding resistance against aggressive agents and special oil.

Creator: M. Wegerer /PDP Released: DAMU1/PDP	Document: DB52032585EN Version: 03	Page 1 of 1
---	---------------------------------------	-------------