

52032520	<b>DATA SHEET</b>	
Valid from: 03.07.2018	<b>SKINDICHT® CN</b>	

The SKINDICHT® CN is a chrome-nickel steel cable gland with a PG-connecting thread and FPM seal, which is especially designed for use under tough conditions, e.g. in the pharmaceutical, petrochemical industry (aggressive media) as well as offshore-, dairy- and food area. Suitable counter nut: SKINDICHT® SM CrNi.



### Components:

Gland body	Stainless steel 1.4305 (V2A)
Cap nut	Stainless steel 1.4305 (V2A)
Sealing insert	FPM
O-Ring	FPM

### Technical features:

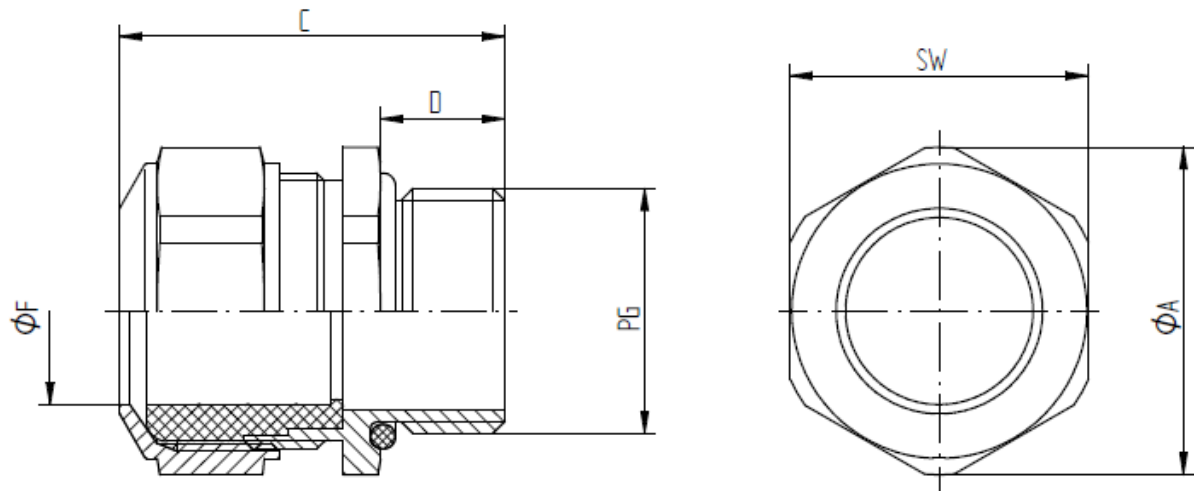
Connecting thread	PG9 up to PG29 acc. to DIN 40430
Temperature range	-40 °C up to +200 °C
Protection class	IP 68 - 10 bar, test acc. to EN 60529 IP 69, test acc. to EN 60529
Strain relief	In accordance with EN 50262, class A

### Norm references:



Creator: M. Wegerer /PDP Released: DAMU1/PDP	Document: DB52032520EN Version: 05	Page 1 of 2
---	---------------------------------------	-------------

52032520	<b>DATA SHEET</b>	
Valid from: 03.07.2018	<b>SKINDICHT® CN</b>	



PG	SW [mm]	Ø A [mm]	C [mm]	D [mm]	Ø F [mm] Clamping range	Article No.
PG9	19	21,1	30	10	6 - 10,5	52032520
PG11	22	24,4	31	10	5,5 - 12	52032525
PG13,5	24	26,4	31	10	8 - 15	52032540
PG16	24	26,4	31	10	8 - 15	52032550
PG21	30	33,0	37	12	12,5 - 20,5	52032560
PG29	41	45,5	40	12	19 - 27,5	52032570

For more information please see our current catalogue. Please do not hesitate to contact our laboratory if there are any questions regarding resistance against aggressive agents and special oil.

Creator: M. Wegerer /PDP Released: DAMU1/PDP	Document: DB52032520EN Version: 05	Page 2 of 2
---	---------------------------------------	-------------