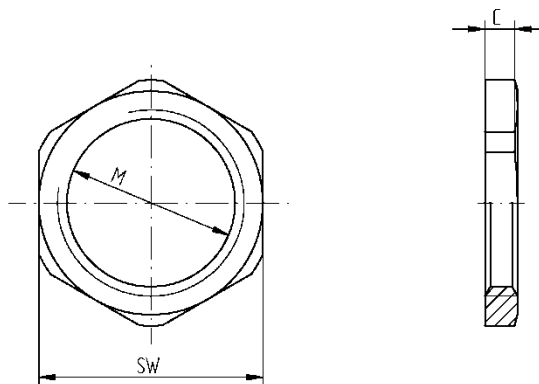


52006321	DATA SHEET	
Valid from: 03.07.2018	SKINDICHT® SM/SVRX	

The SKINDICHT® SM/SVRX is a hexagonal-counter nut to fastening cable glands in acc. to DIN 89 280.



Material: Brass, blank
Thread Type: Metric
Temperature range: -60°C up to +200°C



Designation	Part No.	Wrench Size SW mm	Thread M	High C mm
SM 24	5200 6321	30	M24x1,5	5
SM 36	5200 6401	41	M36x2	7
SM 56	5200 6461	65	M56x2	9
SM 72	5200 6491	85	M72x2	10
SM 80	5200 6531	90	M80x2	11
SM 105	5200 6541	120	M105x2	14

Norm Reference:



For more information please see our current catalogue. Please do not hesitate to contact our laboratory if there are any questions regarding resistance against aggressive agents and special oil.

Creator: M. Wegerer /PDP Released: DAMU1/PDP	Document: DB52006321EN Version: 02	Page 1 of 1
---	---------------------------------------	-------------