

52002680	DATA SHEET	
Valid from: 22.11.2018	SKINDICHT® BL	

The SKINDICHT® BL blind plugs are used when already existing housing holes are not yet engaged or no longer engaged. The blind plug is equipped by a screw-driver groove, which makes installation significantly easier.
The SKINDICHT® BL is qualified for using in machines, apparatus and motor-drives.



Technical features:

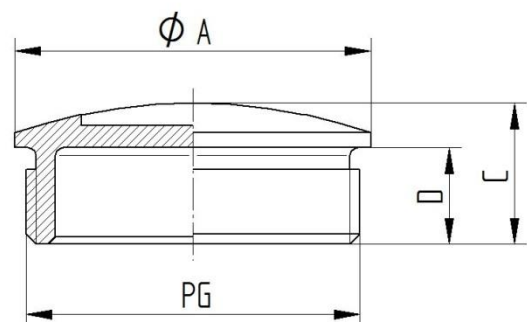
Connecting thread	PG7 up to PG48 acc. to DIN 40430	
Material	Brass, nickel-plated	
Material of O-ring	NBR	
Protection class	without O-ring:	IP54 acc. to EN 60529
	with O-Ring:	IP68 – 5 bar, test acc. to EN 60529
Temperature range	without O-ring:	-60 °C up to +200 °C
	with O-ring:	-30 °C up to +100 °C

Norm references:



SKINDICHT® BL

PG	Ø A [mm]	C [mm]	D [mm]	Article No.
PG 7	14	8	5	52002680
PG 9	17	9	6	52003390
PG 11	20	9	6	52003400
PG 13,5	22	9,5	6,5	52003410
PG 16	24	9,5	6,5	52003420
PG 21	30	11	7	52003430
PG 29	39	12	8	52003440
PG 36	50	15	9	52003450
PG 42	57	16	10	52003460
PG 48	64	16	10	52002790



For more information please see our current catalogue. Please do not hesitate to contact our laboratory if there are any questions regarding resistance against aggressive agents and special oil.

Creator: T. Dvouletý /PDP Released: DAMU1/PDP	Document: DB52002680EN Version: 02	Page 1 of 1
--	---------------------------------------	-------------