


22262111	DATA SHEET	
Valid from: 12.09.2019	AB-C4-M8MA	

Product description

Sensor/actuator connector, angled plug M8, 4-pos., screw connection, metal knurl, cable diameter max. 5 mm



General properties

Ambient temperature	-40 to +85 °C
Protection degree	IP67
Number of contacts	4
Coding	A
Outer diameter, cable	3.5 – 5.0 mm
Termination type	screw connection
Termination cross section, AWG	26 – 20
Termination cross section, mm ²	0.14 – 0.5
Mating cycles	100

Electrical properties

Rated voltage	60 V
Contact resistance	≤ 3 mΩ
Insulation resistance	≥ 10 TΩ
Proof voltage, contact-contact	≥ 1.00 kV
Proof voltage, contact-housing	≥ 0.85 kV
Rated current	4 A
Overvoltage category	II
Pollution degree	3


Materials

Contact carrier	PA
Contact carrier, inflammability class in accordance with UL 94	V0
Contacts, base material	CuZn
Contacts, surface	Au
Knurl	Brass, Ni plated
Grip body	PA
Sealing	NBR/FKM

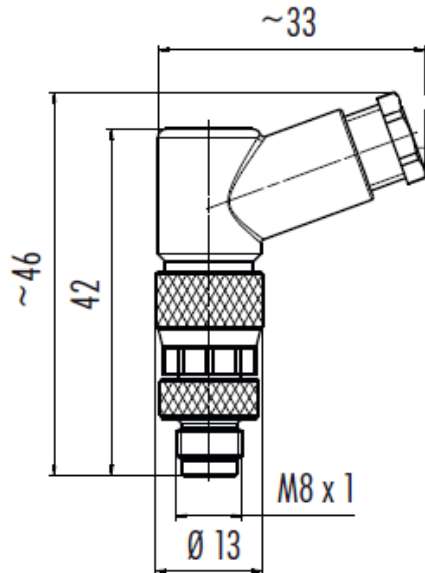
Standards

Product standard	M8-Connector acc. to DIN EN 6 1076-2-104
------------------	--

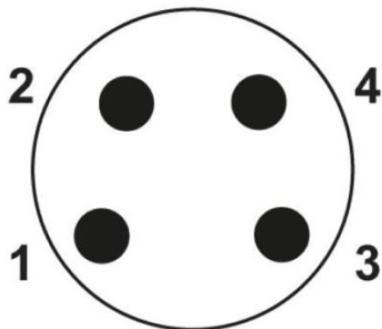
Creator: MAST!/PDP Released: IVSE1/PDP	Document: DB22262111EN Version: 03	Page 1 of 2
---	---------------------------------------	-------------

22262111	DATA SHEET	
Valid from: 12.09.2019	AB-C4-M8MA	

Drawings



Pin assignment



Note

Photographs are not true to scale and do not represent detailed images of the respective products.

Creator: MAST!/PDP Released: IVSE1/PDP	Document: DB22262111EN Version: 03	Page 2 of 2
---	---------------------------------------	-------------