


22262049	DATA SHEET	
Valid from: 12.09.2019	AB-C4-M12MS-PG7-VA	

Product description

Sensor/Actuator connector, straight plug, 4-pos., M12, screw connection, stainless steel, cable screw connection Pg7



General properties

Ambient temperature	-25 to +85 °C
Protection degree	IP 67
Number of contacts	4
Outer diameter, cable	4.0 – 6.0 mm
Termination type	screw connection
Termination cross section, AWG	24 - 18
Termination cross section, mm ²	0.25 – 0.75
Mating cycles	≥ 100

Electrical properties

Rated voltage	250 V
Contact resistance	≤ 3 mΩ
Insulation resistance	≥ 10 TΩ
Proof voltage, contact-contact	≥ 1.4 kV
Proof voltage, contact-housing	≥ 1.4 kV
Rated current	4 A
Overvoltage category	II
Pollution degree	3


Materials

Contact carrier	PA
Contact carrier, Inflammability class in accordance with UL 94	V0
Contacts, base material	CuZn
Contacts, surface	Au
Locking nut	stainless steel
Grip body	PA
Sealing	NBR / FKM

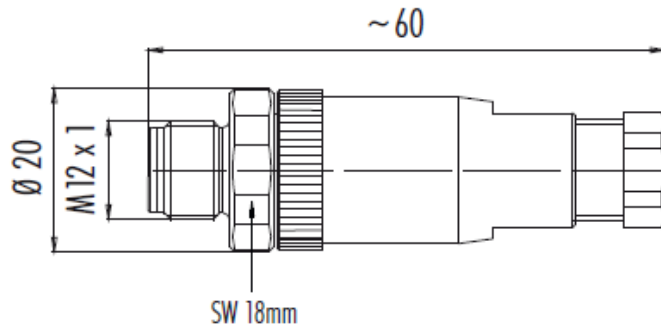
Standards

Product standard	M12-Connector acc. to DIN EN 61076-2-101
------------------	--

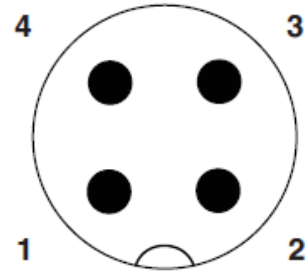
Creator: MANA2/PDP Released: IVSE1/PDP	Document: DB22262049EN Version: 05	Page 1 of 2
---	---------------------------------------	-------------

22262049	DATA SHEET	
Valid from: 12.09.2019	AB-C4-M12MS-PG7-VA	

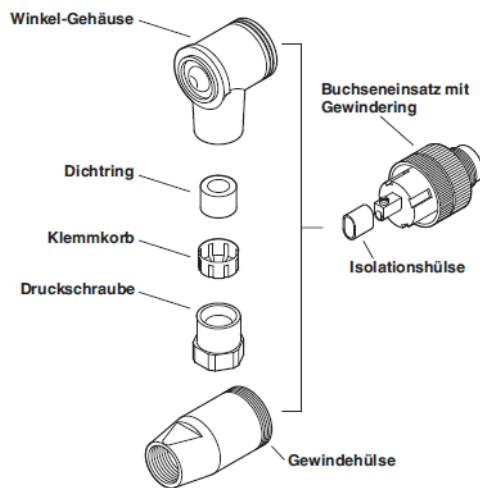
Drawings



Pin assignment



Assembly instruction



Application range

Automation, industrial machinery and plant engineering

Note

Photographs are not true to scale and do not represent detailed images of the respective products.

Creator: MANA2/PDP Released: IVSE1/PDP	Document: DB22262049EN Version: 05	Page 2 of 2
---	---------------------------------------	-------------