


22261004	DATA SHEET	
Valid from: 09.11.2018	AB-C5-M12MA-(L*)PUR-SH	

Product description

Sensor/actuator cable, 5-pos., PUR black, angled plug M12 on free conductor end, shielded.



Product variations

Article number	Article description	Length (L*) [m]
22261004	AB-C5-M12MA-2,0PUR-SH	2
22261005	AB-C5-M12MA-5,0PUR-SH	5

This datasheet is also valid for other length configurations. Other lengths upon request.

M12 connector


General properties

Coding	A
Protection degree	IP65/IP67/IP68
Number of contacts	5
Ambient temperature	-25 °C to +90 °C
Rated voltage	60 V
Rated current	4 A
Insulation resistance	≥ 100 MΩ
Volume resistance	≤ 5 mΩ
Overvoltage category	II
Pollution degree	3
Tightening torque	0.4 Nm
Mating cycles	100

Materials

Contact carrier	TPU GF
Contact carrier, inflammability class in accordance with UL 94	HB
Material, contacts	CuSn
Contact surface	Ni/Au
Material, grip body	TPU
Material, knurl	zinc die-cast, nickel-plated
Material, sealing	NBR

Creator: MANA2/PDP Released: IVSE1/PDP	Document: DB22261004EN Version: 02	Page 1 of 3
---	---------------------------------------	-------------

22261004	DATA SHEET	
Valid from: 09.11.2018	AB-C5-M12MA-(L*)PUR-SH	

Cable


Signal line, construction	42 x 0.10 mm
Signal line, AWG	22
Conductor, material	stranded of bare copper wire
Conductor, cross-section	0.34 mm ²
Number of cores	5
Core identification code	brown (1), white (2), blue (3), black (4), grey (5)
Outer diameter, core insulation	1.27 mm
Core insulation, material	PP
Screening	braid of copper wire
Coverage	85 %
Outer sheath	PUR
Outer sheath, color	black similar to RAL 9005
Outer diameter, cable	5.9 mm
Ambient temperature, fixed installation	-40 °C to +80 °C
Ambient temperature, flexing	-25 °C to +80 °C
Minimum bending radius, fixed installation	5 x cable diameter
Minimum bending radius, flexing	10 x cable diameter
Travel length	10 m
Travel speed	3 m/s
Acceleration	10 m/s ²
Number of bending cycles	4.000.000
Nominal voltage	≤ 300 V
Test voltage	≥ 3000 V
Flame retardance	flame retardant acc. to UL FT-2
Halogen free	halogen free acc. to DIN VDE 0472 Part 815
Other resistances	resistant to hydrolysis and microbes limited UV resistance acc. to DIN EN ISO 4892-2-A

Standards/Approvals

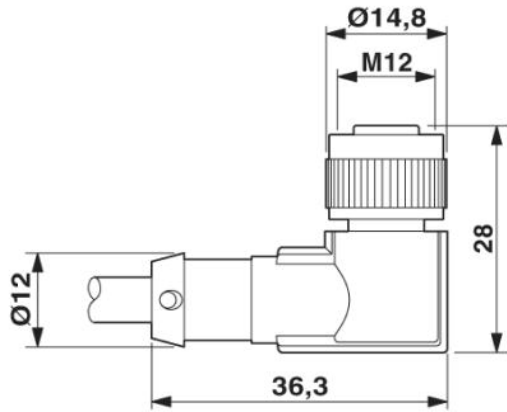
Product standard, M12 connector	IEC 61076-2-101
UL-listed, E-File	E249137

Drawings

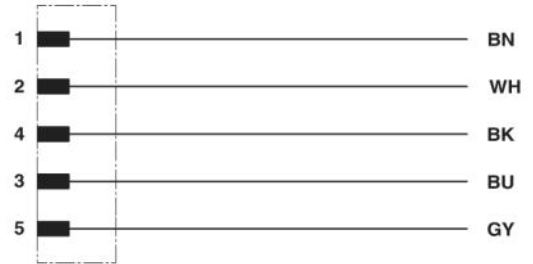
Creator: MANA2/PDP Released: IVSE1/PDP	Document: DB22261004EN Version: 02	Page 2 of 3
---	---------------------------------------	-------------

22261004	DATA SHEET	
Valid from: 09.11.2018	AB-C5-M12MA-(L*)PUR-SH	

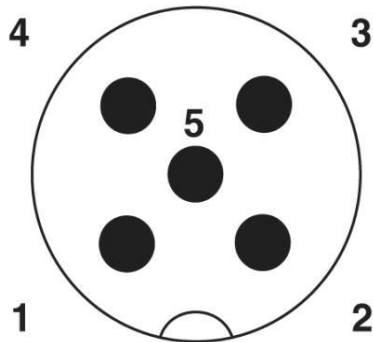
Dimensioned drawing, M12 connector



Wiring diagram



Pin assignment



Cable



Core identification code: brown (1), white (2), blue (3), black (4), grey (5)

Note

Photographs are not true to scale and do not represent detailed images of the respective products.

Creator: MANA2/PDP Released: IVSE1/PDP	Document: DB22261004EN Version: 02	Page 3 of 3
---	---------------------------------------	-------------