

22260946	<b>DATA SHEET</b>	
Valid from: 12.09.2019	<b>AB-C5-(L*)PUR-M12FA-SH</b>	

## Product description

Sensor/actuator cable, 5-pos., PUR black, angled socket M12 on free conductor end, shielded.



## Product variations

Article number	Article description	Length (L*) [m]
22260946	AB-C5-2,0PUR-M12FA-SH	2
22260714	AB-C5-5,0PUR-M12FA-SH	5
22260991	AB-C5-10,0PUR-M12FA-SH	10
22262052	AB-C5-11,0PUR-M12FA-SH	11
22260594	AB-C5-20,0PUR-M12FA-SH	20

This datasheet is also valid for other length configurations. Other lengths upon request.

## M12 connector


### General properties

Coding	A
Protection degree	IP65/IP67/IP68
Number of contacts	5
Ambient temperature	-25 °C to +90 °C (-13 °F to +194 °F)
Rated voltage	60 V
Rated current	4 A
Insulation resistance	≥ 100 MΩ
Contact resistance	≤ 5 mΩ
Overvoltage category	II
Pollution degree	3
Tightening torque	0.4 Nm
Mating cycles	100

### Materials

Contact carrier	TPU GF
Contact carrier, Inflammability class acc. to UL 94	HB
Material, contacts	CuSn
Contact surface	Ni/Au
Material, grip body	TPU
Material, knurl	zinc die-cast, nickel-plated
Material, sealing	NBR

Creator: MANA2/PDP Released: IVSE1/PDP	Document: DB22260946EN Version: 02	Page 1 of 3
---	---------------------------------------	-------------

22260946	<b>DATA SHEET</b>	
Valid from: 12.09.2019	<b>AB-C5-(L*)PUR-M12FA-SH</b>	


## Cable

Signal line, construction	42 x 0.10 mm
Signal line, AWG	22
Conductor, material	stranded of bare copper wire
Conductor, cross-section	0.34 mm <sup>2</sup>
Number of cores	5
Core identification code	brown (1), white (2), blue (3), black (4), grey (5)
Outer diameter, core insulation	1.27 mm
Core insulation, material	PP
Screening	braid of copper wire
Coverage	85 %
Outer sheath	PUR
Outer sheath, colour	black similar to RAL 9005
Outer diameter, cable	5.9 mm
Ambient temperature, fixed installation	-40 °C to +80 °C (-40 °F to +176 °F)
Ambient temperature, flexing	-25 °C to +80 °C (-13 °F to +176 °F)
Minimum bending radius, fixed installation	5 x cable diameter
Minimum bending radius, flexing	10 x cable diameter
Travel length	10 m
Travel speed	3 m/s
Acceleration	10 m/s <sup>2</sup>
Number of bending cycles	4.000.000
Nominal voltage	≤ 300 V
Test voltage	≥ 3000 V
Flame retardance	flame retardant acc. to UL FT-2
Halogen free	halogen free acc. to DIN VDE 0472 Part 815
Other resistances	resistant to hydrolysis and microbes limited UV resistance acc. to DIN EN ISO 4892-2-A

## Standards/Approvals

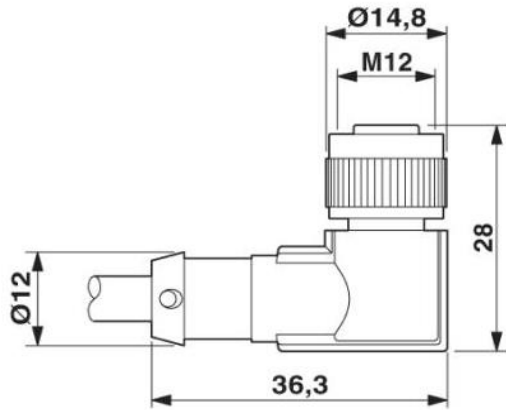
Product standard, M12 connector	IEC 61076-2-101
UL-listed, E-File	E249137

Creator: MANA2/PDP Released: IVSE1/PDP	Document: DB22260946EN Version: 02	Page 2 of 3
---	---------------------------------------	-------------

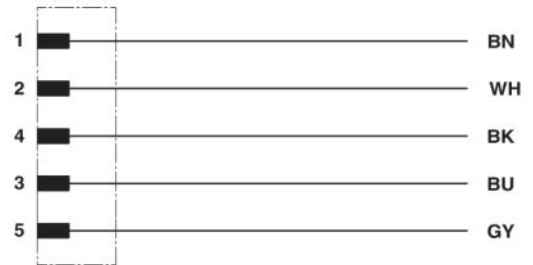
22260946	<b>DATA SHEET</b>	
Valid from: 12.09.2019	AB-C5-(L*)PUR-M12FA-SH	

## Drawings

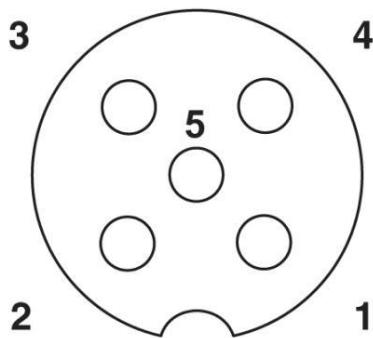
Dimensioned drawing, M12 connector



Wiring diagram



Pin assignment



Cable



Core identification code: brown (1), white (2), blue (3), black (4), grey (5)

## Application range

Automation, industrial machinery and plant engineering

## Note

Photographs are not true to scale and do not represent detailed images of the respective products.

Creator: MANA2/PDP Released: IVSE1/PDP	Document: DB22260946EN Version: 02	Page 3 of 3
---	---------------------------------------	-------------