


22260653	<b>DATA SHEET</b>	
Valid from: 12.09.2019	<b>AB-C5-M12MSB-PG9-SH-AU</b>	

## Product description

connector for bus-systems, straight plug, 5-pos., M12, shielded, gold-plated, B-coded, screw connection, metal knurl, Pg9



## General properties

Ambient temperature (operation)	-40 to +85 °C (-40 to 185 °F)
Protection degree	IP 67
Number of pins	5
Outer diameter, cable	6 – 8 mm
Termination type	screw connection
Termination cross section, AWG	24 – 18
Termination cross section, mm <sup>2</sup>	0.25 – 0.75 mm <sup>2</sup>
Mating cycles	≥ 100

## Electrical properties

Rated voltage	60 V
Contact resistance	≤ 3 mΩ
Insulation resistance	≥ 100 MΩ
Proof voltage, contact-contact	≥ 1.0 kV
Proof voltage, contact-housing	≥ 1.0 kV
Rated current	4 A
Overvoltage category	II
Pollution degree	3


## Materials

Contact carrier	PA 66
Contact carrier, inflammability class in acc. to UL 94	V0
Contacts, base material	CuZn
Contacts, surface	Au
Locking nut	Die-cast zinc, Ni plated
Grip body	Die-cast zinc, Ni plated
Sealing	NBR / FKM

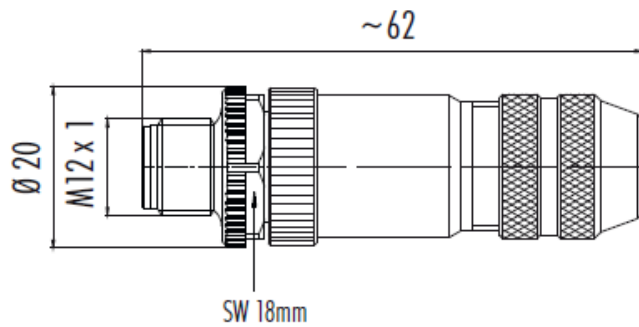
## Standards

Product standard	M12-Connector acc. to DIN EN 61076-2-101
------------------	--

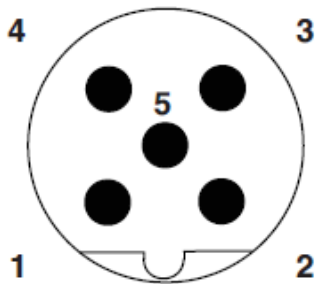
Creator: MANA2/PDP Released: IVSE1/PDP	Document: DB22260653EN Version: 05	Page 1 of 2
---	---------------------------------------	-------------

22260653	<b>DATA SHEET</b>	
Valid from: 12.09.2019	<b>AB-C5-M12MSB-PG9-SH-AU</b>	

### Technical Drawings



### Pin assignment



### Note

Photographs are not true to scale and do not represent detailed images of the respective products.

Creator: MANA2/PDP Released: IVSE1/PDP	Document: DB22260653EN Version: 05	Page 2 of 2
---	---------------------------------------	-------------