


22260554	<b>DATA SHEET</b>	
Valid from: 18.11.2019	<b>AB-C3-M12MS-0,3PUR-BI-1L-S</b>	

## Description

- Sensor/actuator cable with LED, PUR halogen-free
- Connector straight M12 to valve plug, 3-pol
- Connected with Z-diode



## General characteristics

Connector	M12-plug
Number of pins	3
Ambient temperature	-25 to +90 °C (-13°F to 194°F) (connector) -20 to +85 °C (-4°F to 185°F) (valve plug) -40 to +80 °C (-40°F to 176°F) (cable fixed installation) -20 to +80 °C (-4°F to 176°F) (cable flexible)
Degree of protection	IP 65 / IP 67

## Variation

Article number	Description	Length [m]
22260554	AB-C3-M12MS-0,3PUR-BI-1L-S	0,3
22260555	AB-C3-M12MS-0,6PUR-BI-1L-S	0,6
22260556	AB-C3-M12MS-1,0PUR-BI-1L-S	1,0
22260557	AB-C3-M12MS-2,0PUR-BI-1L-S	2,0
22261065	AB-C3-M12MS-10,0PUR-BI-1L-S	10,0

### Additional note

This datasheet is also valid for other length configurations. Other lengths upon request.

## Electrical properties


Rated voltage	24 V
Rated current	4 A
Overvoltage category	III
Pollution degree	3
Protective circuit	Z-diode

## Mechanical properties

### Plug

Inflammability class according to UL 94	HB
Contact	CuSn
Contact surface	Ni / Au
Contact carrier	TPU GF
Handle body	TPU
Contact valve plug	CuSn
Contact surface valve plug	Sn
Contact insert valve plug	PA 66
Housing valve plug	TPU
Knurl	Zinc diecasting, nickel-plated
Seal	TPU (seal injected)

Creator: ERTC1/PDP Released: IVSE1/PDP	Document: DB22260554EN Version: 06	Page 1 of 3
---	---------------------------------------	-------------

22260554	<b>DATA SHEET</b>	
Valid from: 18.11.2019	<b>AB-C3-M12MS-0,3PUR-BI-1L-S</b>	

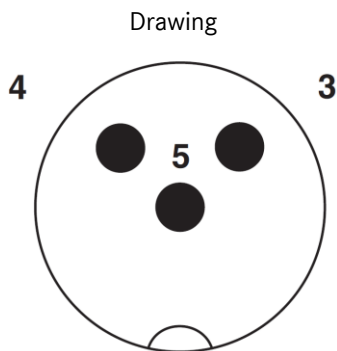
### Line

Cable construction	3x AWG20/28
Conductor diameter including isolation	1.5 mm ± 0.05 mm (signal line)
Cable outer diameter	4.5 mm ± 0.2 mm
Core identification	Black 1, black 2, green/yellow
Sheath colour	Black grey RAL 7021
Bending radius	50 mm
Number of bending cycle	15000000
Traveling distance	0.9 m
Travel speed	5 m/s
Acceleration	30 m/s <sup>2</sup>
Outer coating, material	PUR
Material wire insulation	PP
Flame resistance	Acc. DIN VDE 0482 Acc. DIN EN 50265-2-1
Halogen-free	Acc. DIN VDE 0472 part 815

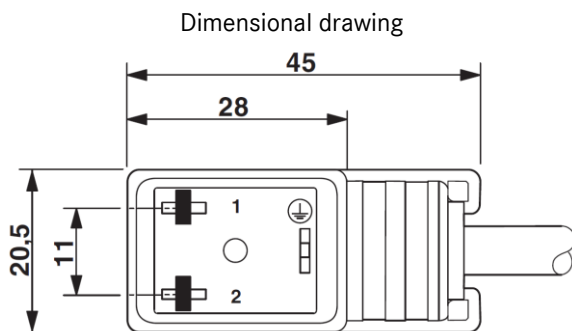
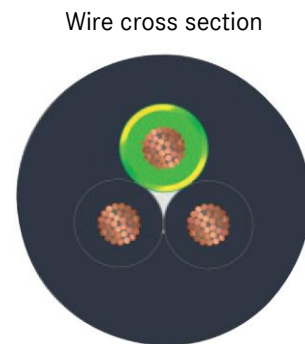
### Standards / Approvals

Product standard, M12 connector	IEC 61076-2-101
Valve connectors	EN 175301-803

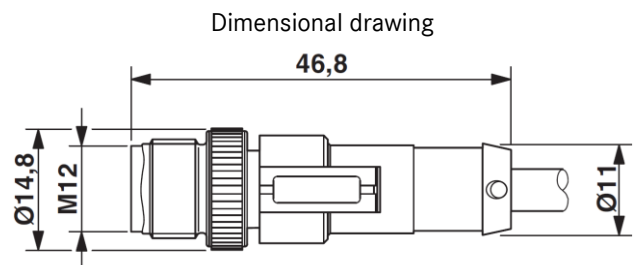
### Technical drawing



Pin assignment M12-plug, 3-pol, valve plug




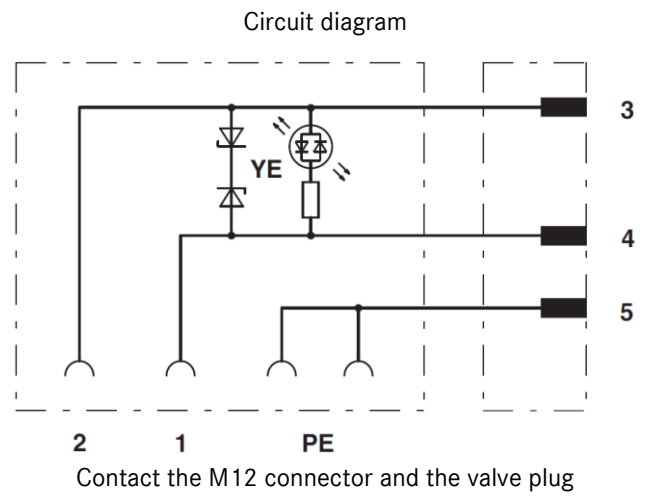
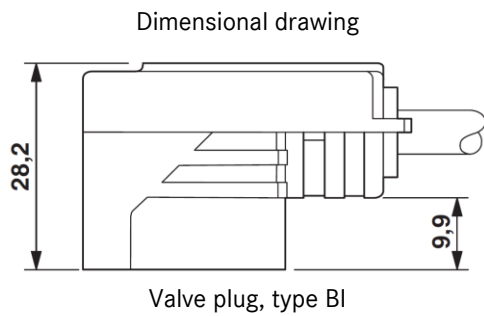
Valve plug, type BI



Plug M12 x 1, straight, shielded

Creator: ERTC1/PDP Released: IVSE1/PDP	Document: DB22260554EN Version: 06	Page 2 of 3
---	---------------------------------------	-------------

22260554	<b>DATA SHEET</b>	
Valid from: 18.11.2019	<b>AB-C3-M12MS-0,3PUR-BI-1L-S</b>	



### Application range

Automation, industrial machinery and plant engineering

### Note

Photographs are not true to scale and do not represent detailed images of the respective products.

Creator: ERTC1/PDP Released: IVSE1/PDP	Document: DB22260554EN Version: 06	Page 3 of 3
---	---------------------------------------	-------------