


22260089	DATA SHEET	
Valid from: 17.09.2018	AB-C4-M12FS-PG9-PO-0,5	

Description

- Sensor/Actuator flush-type socket, 4-pos., A-coded, M12 quick locking
- Front/screw mounting with PG9 thread, can be positioned, with 0.5 m TPE litz wire, 4 x 0.34 mm²



General characteristics

Number of poles	4
Connection type	Fixed connection
Mounting type	Front mounting PG9 with locking nut
Length of cable	0.5 m
Status indicator	No
Coding	A-standard
Degree of protection	IP 67
Ambient temperature (operation)	-25 to +90 °C (-13 to 194 °F) (cable, fixed installation) -25 to +85 °C (-13 to 185 °F) (connector)

Electrical properties

Nominal voltage U _N	250 V
Nominal current I _N	4 A
Surge voltage category	II
Pollution degree	3
Insulation resistance (min.)	100 MΩ
Contact resistance (max.)	3 mΩ

Mechanical properties


Connector

Contact, material	CuZn
Contact surface, material	Ni/Au
Contact carrier, material	PA66
Knurl, material	Brass (nickel-plated)
Sealing, material	NBR

Line

Cable type	TPE litz wire
Conductor, material	Tin-plated Cu litz wires
Core insulation, material	TPE
Wire colours	Brown, white, blue, black
Conductor diameter including insulation	1.2 mm ±0.07 mm
Thickness, insulation	0.21 mm
Conductor cross section	0.34 mm ²
Conductor structure signal line	7 x 0.25 mm
AWG signal line	22
Insulation resistance (min.)	20 MΩ*km
Conductor resistance (max.)	57.6 Ω/km
Nominal voltage, conductor	300 V
Test voltage, conductor	2000 V AC

Creator: MOKO2/PDP Released: IVSE1/PDP	Document: DB22260089EN Version: 01	Page 1 of 2
---	---------------------------------------	-------------

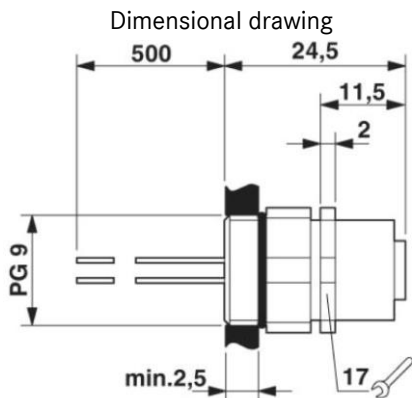
22260089	DATA SHEET	
Valid from: 17.09.2018	AB-C4-M12FS-PG9-PO-0,5	

Standard

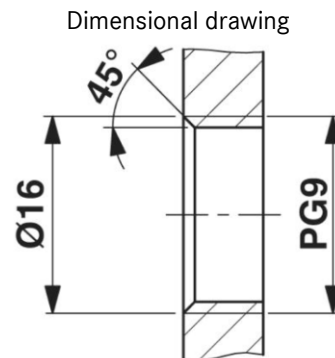
M12-connector

IEC 61076-2-101

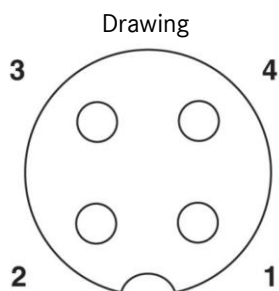
Technical drawing



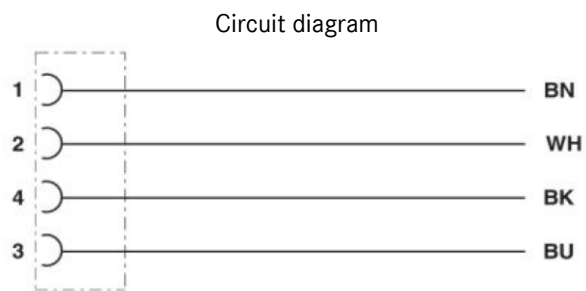
M12 flush-type connector, can be positioned



Housing cutout for PG9 fastening thread, mounting panel with thread



Pin assignment M12 socket, 4-pos., A-coded, view female side



Contact assignment of the M12 socket

Application range

Connection of enclosures and cabinets

Note

Photographs are not true to scale and do not represent detailed images of the respective products.

Creator: MOKO2/PDP Released: IVSE1/PDP	Document: DB22260089EN Version: 01	Page 2 of 2
---	---------------------------------------	-------------