


22260079	<b>DATA SHEET</b>	
Valid from: 19.07.2019	<b>AB-PB-M12MA-(L*) PUR-M12FA</b>	

## Description

- Bus system cable, 2-pins, shielded, PUR halogen-free, violet
- PROFIBUS 12 Mbit/s
- Angled M12-plug on angled M12-jack



## General characteristics

Fieldbus	PROFIBUS
Number of pins	2
Ambient temperature	-25 to +90 °C (-13°F to 194°F) (connector) -40 to +80 °C (-40°F to 176°F) (cable fixed installation) -30 to +80 °C (-22°F to 176°F) (cable flexible) ≤ +70 °C (158 °F) (dragchain)
Degree of protection	IP 65 / IP 67
Coding	B-inverse

## Variation

Material	Description	Length (L*) [m]	Configuration
22260079	AB-PB-M12MA-5.0 PUR-M12FA	5	Angled – angled
22260904	AB-PB-M12MA-10.0 PUR-M12FA	10	Angled – angled
22260905	AB-PB-M12MA-15.0 PUR-M12FA	15	Angled – angled

## Electrical properties


Rated voltage	250 V
Rated current at 40 °C	4 A
Overvoltage category	II
Pollution degree	3
Characteristic impedance, line	150 Ω ± 10 % (3 MHz ... 20MHz)

## Mechanical properties

### Plug & jack

Inflammability class according to UL 94	V0
Contact	CuSn
Contact surface	Ni / Au
Contact carrier	PA 66
Knurl	Zinc diecasting, nickel-plated
Handle	TPU
Seal	NBR

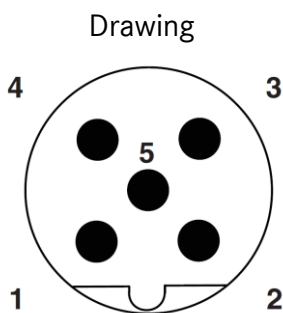
Creator: ERTC1/PDP Released: IVSE1/PDP	Document: DB22260079EN Version: 02	Page 1 of 3
---	---------------------------------------	-------------

22260079	<b>DATA SHEET</b>	
Valid from: 19.07.2019	<b>AB-PB-M12MA-(L*) PUR-M12FA</b>	

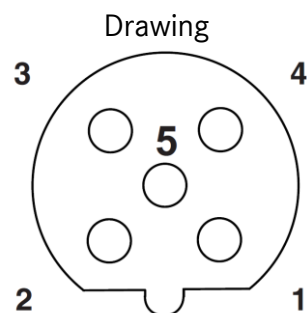
### Line

Cable construction	2x AWG24/19
Conductor diameter including isolation	2.55 mm ±0.07 mm
Cable outer diameter	7.8 mm ±0.2 mm
Core identification	red, green
Sheath colour	Violet, similar to RAL 4001
Shielding	Plastic Laminated alufoil, braid of tinned copper wires
Bending radius	80 mm
Number of bending cycle	5000000
Traveling distance	4,5 m
Travel speed	3 m/s
Acceleration	3 m/s <sup>2</sup>
Cable weight	90 kg/km
Outer coating, material	PUR
Wire insulation, material	Foam-Skin PP
Flame resistance	UL 1581, Sec. 1060 (FT-1) IEC 60332-1-2
Halogen-free	acc. to DIN VDE 0472 Teil 815 acc. to IEC 60754-1

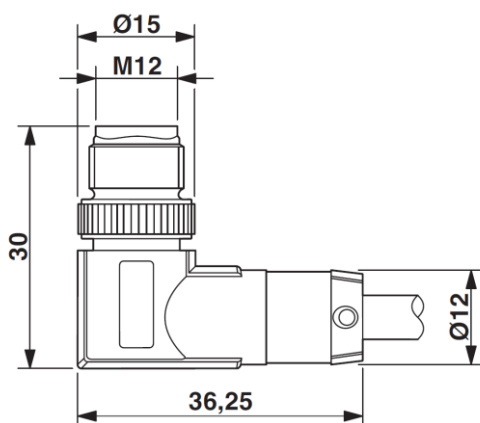
### Technical drawing



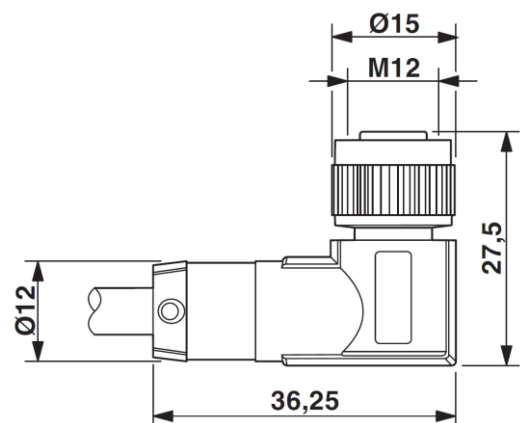
M12-plug, 5-pins, B-coded



M12-jack, 5-pins, B-coded




M12-plug, angled, shielded

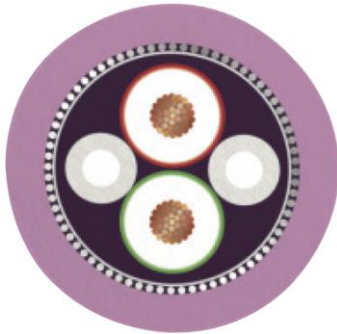


M12-jack, angled, shielded

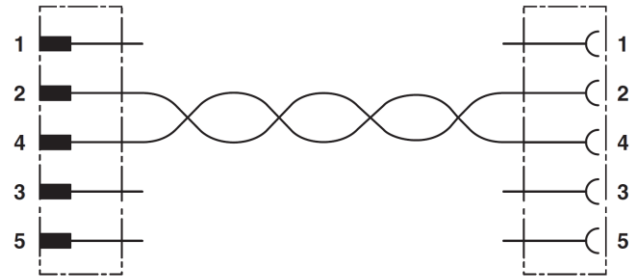
Creator: ERTC1/PDP Released: IVSE1/PDP	Document: DB22260079EN Version: 02	Page 2 of 3
---	---------------------------------------	-------------

22260079	<b>DATA SHEET</b>	
Valid from: 19.07.2019	<b>AB-PB-M12MA-(L*) PUR-M12FA</b>	

Wire cross section



Circuit diagram



Contact assignment M12-plug and M12-jack

### Application range

Automation, industrial machinery and plant engineering

### Note

Photographs are not true to scale and do not represent detailed images of the respective products.

Creator: ERTC1/PDP Released: IVSE1/PDP	Document: DB22260079EN Version: 02	Page 3 of 3
---	---------------------------------------	-------------