


| | | |
|---------------------------|---------------------------------------|---|
| 2172255 | DATA SHEET |  |
| Valid from: 30.03.2021 | IE-6-M12XF-S-(L*)-P-4-26-FD-OE | |

Description

- Ethernet patchcords Cat.6, shielded
- For industrial ethernet and cable chain
- Straight M12-jack on free conductor end



General characteristics

| | |
|------------------------------|---|
| Connection method, connector | M12x1-jack, x-code |
| Number of pins | 8 |
| Ambient temperature | -30°C to +80°C (-22°F to 176°F) (fixed installation) -30°C to +70°C (-22°F to 158°F) (flexible installation) |
| Degree of protection | IP 65, IP 67 (M12 –plugged and locked) |
| Shielding | shielded |
| Tightening torque | 1.0 Nm (M12-connector) 2.0 Nm (M12-flange nut) |

Variation

| Article | Description | Length (L*) [m] |
|---------|-----------------------------------|-----------------|
| 2172207 | IE-6-M12XF-S-0,5-P-4-26-FD-M12X-S | 0.5 |
| 2172208 | IE-6-M12XF-S-1-P-4-26-FD-M12X-S | 1 |
| 2172209 | IE-6-M12XF-S-2-P-4-26-FD-M12X-S | 2 |
| 2172210 | IE-6-M12XF-S-3-P-4-26-FD-M12X-S | 3 |
| 2172211 | IE-6-M12XF-S-5-P-4-26-FD-M12X-S | 5 |
| 2172212 | IE-6-M12XF-S-7-P-4-26-FD-M12X-S | 7 |
| 2172213 | IE-6-M12XF-S-10-P-4-26-FD-M12X-S | 10 |
| 2172214 | IE-6-M12XF-S-15-P-4-26-FD-M12X-S | 15 |
| 2172215 | IE-6-M12XF-S-20-P-4-26-FD-M12X-S | 20 |

Additional note

Data sheet also valid for variant lengths. Other lengths on request.


Electrical properties

| | |
|------------------------|-----------------------------|
| Rated voltage | 50 VAC / 60 VDC |
| Rated current at 40 °C | 0.5 A |
| Pollution degree | 3 (M12 –plugged and locked) |

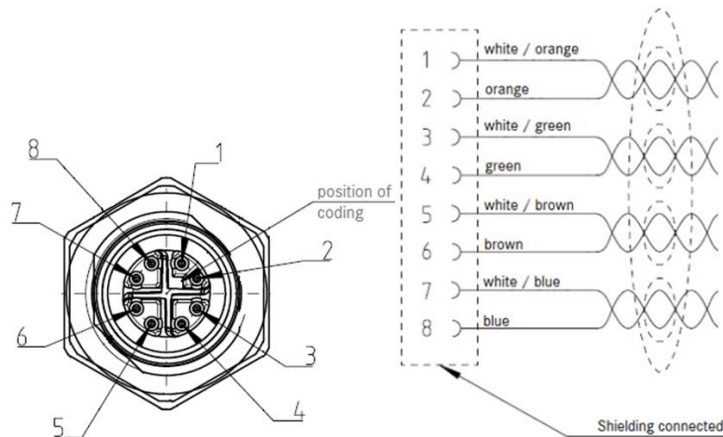
Transmission characteristics

| | |
|----------------|---|
| Category (ISO) | 6 |
|----------------|---|

| | | |
|---|--------------------------------------|-------------|
| Creator: FEL11/PDP Released: IVSE1/PDP | Document: DB2172255EN Version: 01 | Page 1 of 3 |
|---|--------------------------------------|-------------|

| | | |
|---------------------------|---------------------------------------|---|
| 2172255 | DATA SHEET |  |
| Valid from: 30.03.2021 | IE-6-M12XF-S-(L*)-P-4-26-FD-OE | |

Connector pin assignment



Mechanical properties

M12-jack

Inflammability class according to UL 94

Housing, material
 Contact, material
 Contact carrier, material
 Housing, material
 Handle, material
 Seal outer, material
 Seal inner, material
 Nut, material

TPU → HB
 NBR, FPM/FKM → none
 Cu, nickel plated
 CuNi, gold plated
 TPU, green
 Cu, vernickelt
 TPU, black
 NBR, black
 FPM/FKM, red
 Cu, vernickelt

Line (Lapp article number: 2170488)


Cable construction
 Conductor diameter including isolation
 Cable outer diameter
 Insulation color

4x2x AWG 26 / 19
 0.98 mm
 7.8 mm
 white/blue, blue, white/orange, orange,
 white/green, green, white/brown, brown
 green, similar RAL 6018
 Alufoil (overlapped)
 Braid made of tinned copper wires
 4 x cable outer diameter (fixed installation)
 7.5 x cable outer diameter (flexible installation)

Sheath color
 Type of pair shielding
 Shielding
 Bending radius

1.000.000
 10 m
 4 m/s
 4 m/s²
 63 kg/km
 PUR
 PP
 acc. IEC 60332-1-2
 acc. CSA FT1 und NEC VW-1
 acc. CSA 22.2, 4 days/100 °C (212 °F)

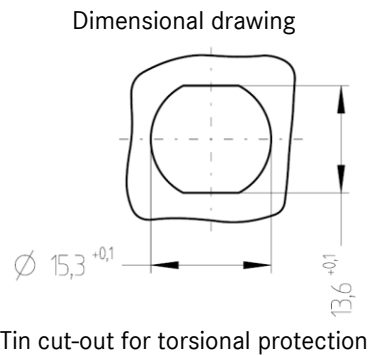
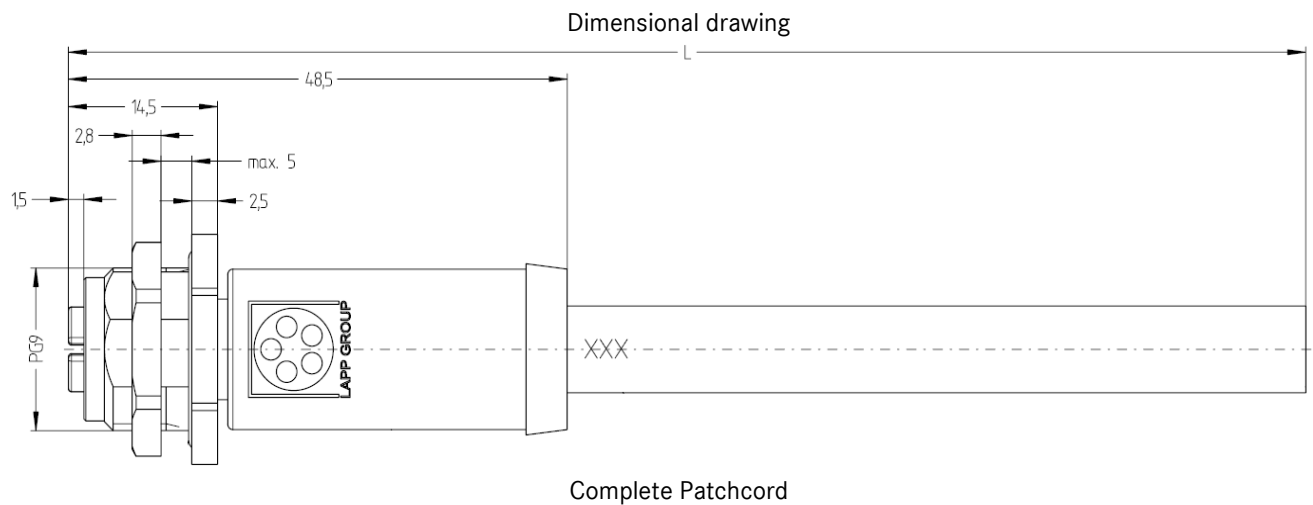
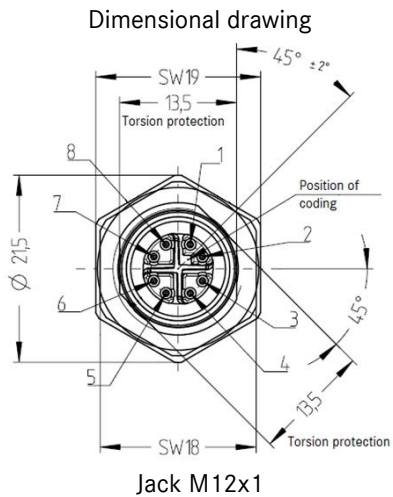
Number of bending cycle
 Traveling distance
 Travel speed
 Acceleration
 Cable weight
 Outer coating, material
 Wire insulation, material
 Flame resistance
 Oil resistance

| | | |
|---------------------------|---------------------------------------|---|
| 2172255 | DATA SHEET |  |
| Valid from: 30.03.2021 | IE-6-M12XF-S-(L*)-P-4-26-FD-OE | |

Standards / Approvals

Product standard, M12-connector IEC 61076-2-109
 Generic cabling for customer premises – General requirements ISO/IEC 11801

Technical drawing



Application range

Automation, industrial machinery and plant engineering

Note

Photographs are not true to scale and do not represent detailed images of the respective products.

| | | |
|---|--------------------------------------|-------------|
| Creator: FELI1/PDP Released: IVSE1/PDP | Document: DB2172255EN Version: 01 | Page 3 of 3 |
|---|--------------------------------------|-------------|