


2172207	DATA SHEET	
Valid from: 30.03.2021	IE-6-M12XF-S-(L*)-P-4-26-FD-M12X-S	

Description

- Ethernet patchcords Cat.6, shielded
- For industrial ethernet and cable chain
- Consisting of straight M12-plug and M12-jack



General characteristics

Connection method, connector	M12x1-plug, x-code M12x1-jack, x-code
Number of pins	8
Ambient temperature	-30°C to +80°C (-22°F to 176°F) (fixed installation) -30°C to +70°C (-22°F to 158°F) (flexible installation)
Degree of protection	IP 65, IP 67 (M12 -plugged and locked)
Shielding	shielded
Tightening torque	1.0 Nm (M12-connector) 2.0 Nm (M12-flange nut)

Variation

Article	Description	Length (L*) [m]
2172207	IE-6-M12XF-S-0,5-P-4-26-FD-M12X-S	0,5
2172208	IE-6-M12XF-S-1-P-4-26-FD-M12X-S	1
2172209	IE-6-M12XF-S-2-P-4-26-FD-M12X-S	2
2172210	IE-6-M12XF-S-3-P-4-26-FD-M12X-S	3
2172211	IE-6-M12XF-S-5-P-4-26-FD-M12X-S	5
2172212	IE-6-M12XF-S-7-P-4-26-FD-M12X-S	7
2172213	IE-6-M12XF-S-10-P-4-26-FD-M12X-S	10
2172214	IE-6-M12XF-S-15-P-4-26-FD-M12X-S	15
2172215	IE-6-M12XF-S-20-P-4-26-FD-M12X-S	20

Additional note

Data sheet also valid for variant lengths. Other lengths on request.

Electrical properties

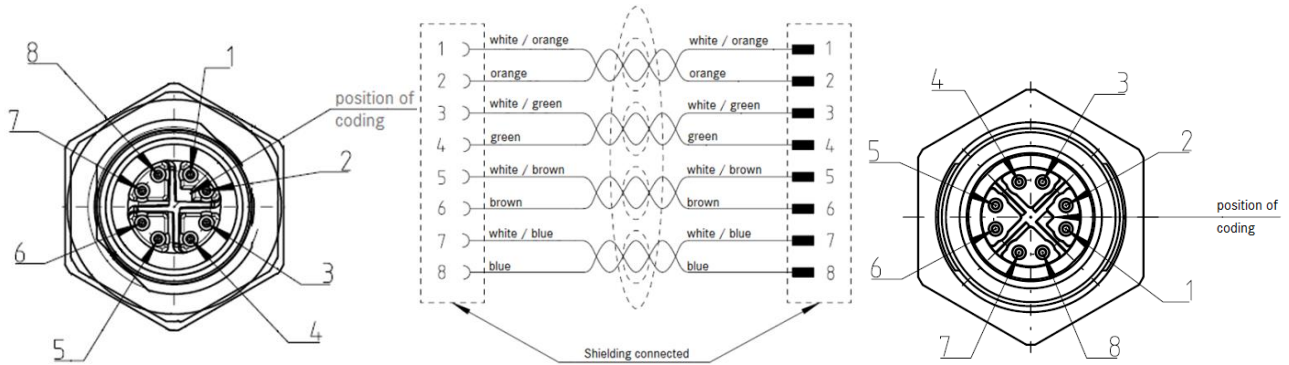
Rated voltage	50 VAC / 60 VDC
Rated current at 40 °C	0.5 A
Pollution degree	3 (M12 -plugged and locked)

Transmission characteristics

Category (ISO)	6
----------------	---

Creator: FELI1/PDP Released: IVSE1/PDP	Document: DB2172207EN Version: 01	Page 1 of 3
---	--------------------------------------	-------------

Connector pin assignment



Mechanical properties

M12-plug

Inflammability class according to UL 94
Housing, material
Contact, material
Contact carrier, material
Knurl, material
Handle, material

TPU → HB
Cu, nickel plated
CuNi, gold plated
TPU, natur
Cu, nickel plated
TPU, black

M12-jack

Inflammability class according to UL 94
Contact, material
Contact carrier, material
Housing, material
Handle, material
Seal outer, material
Seal inner, material
Nut, material

TPU → HB
NBR, FPM/FKM → none
CuNi, gold plated
TPU, green
Cu, nickel plated
TPU, black
NBR, black
FPM/FKM, red
Cu, nickel plated

Line (Lapp article number: 2170488)


Cable construction
Conductor diameter including isolation
Cable outer diameter
Insulation color
Sheath color
Type of pair shielding
Shielding
Bending radius

4x2x AWG 26 / 19
0.98 mm
7.8 mm
white/blue, blue, white/orange, orange,
white/green, green, white/brown, brown
green, similar RAL 6018
Alufoil (overlapped)
Braid made of tinned copper wires
4 x cable outer diameter (fixed installation)
7.5 x cable outer diameter (flexible installation)

Number of bending cycle
Traveling distance
Travel speed
Acceleration
Cable weight
Outer coating, material
Wire insulation, material
Flame resistance

1.000.000
10 m
4 m/s
4 m/s²
63 kg/km
PUR
PP
acc. IEC 60332-1-2
acc. CSA FT1 und NEC VW-1
acc. CSA 22.2, 4 days/100 °C (212 °F)

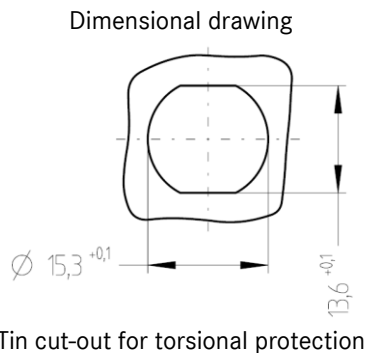
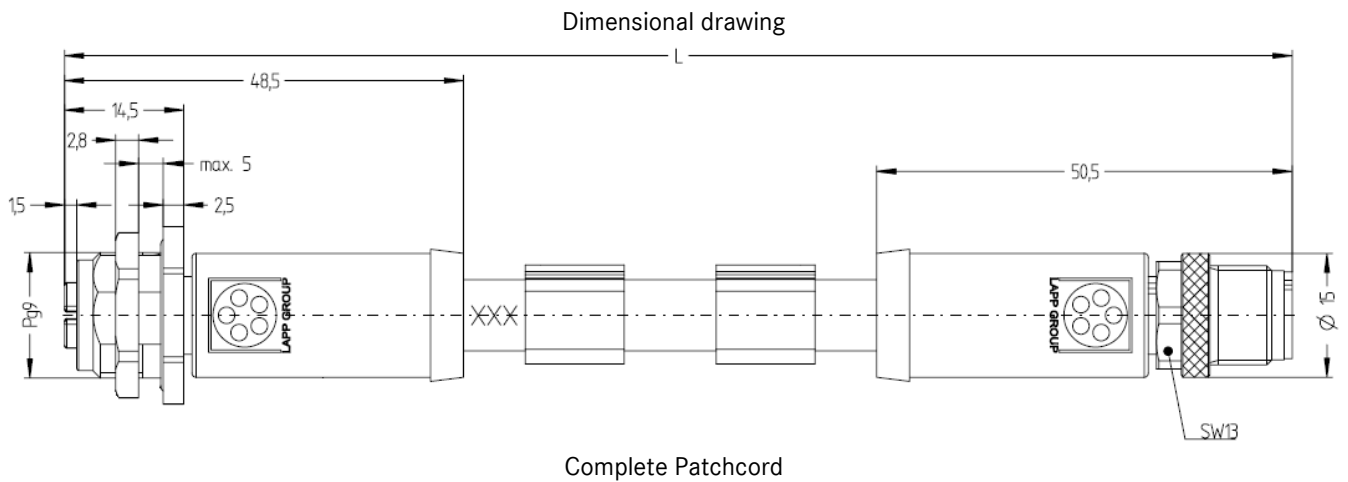
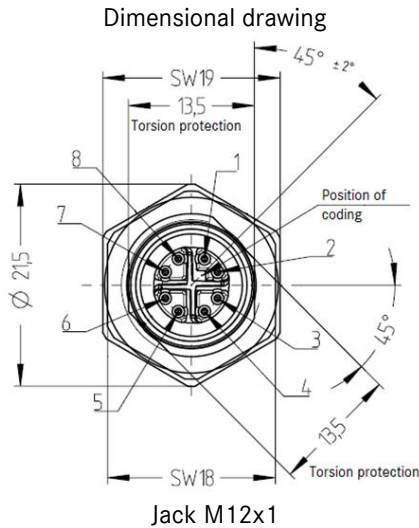
Oil resistance

2172207	DATA SHEET	
Valid from: 30.03.2021	IE-6-M12XF-S-(L*)-P-4-26-FD-M12X-S	

Standards / Approvals

Product standard, M12-connector IEC 61076-2-109
 Generic cabling for customer premises – General requirements ISO/IEC 11801

Technical drawing



Application range

Automation, industrial machinery and plant engineering

Note

Photographs are not true to scale and do not represent detailed images of the respective products.

Creator: FELI1/PDP Released: IVSE1/PDP	Document: DB2172207EN Version: 01	Page 3 of 3
---	--------------------------------------	-------------