
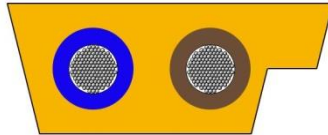


2170371	DATA SHEET	
valid from: 25.11.2022	UNITRONIC® BUS ASI LD G YE 2x2,5	

Application

Field of Use:	Communication at sensor/actuator level. The yellow cable is used to carry control data and DC power supply on the same wire.
Performance:	The UNITRONIC® BUS ASI LD 2 x 2.5 (Long Distance) allows even modules located further away to be connected. AS-i power supplies can be reduced.
Characteristics:	halogen free, flame retardant, UV resistant, oil resistant and largely resistant to acids, alkalis and certain oils
Applications:	The UNITRONIC® BUS ASI LD 2 x 2.5 is downwards-compatible with version 1.5.



Design

Conductor	fine-wire stranded, tinned copper 2.5 mm ²
Insulation	rubber compound core diameter: ca. 2.5 mm
Core identification code	brown, blue
Stranding	2 cores parallel deviation, brown core assembled in line with leading edge
Outer sheath	rubber compound yellow, similar RAL 1012 outline and dimensions acc. to IEC 62026-2


Electrical properties at 20 °C

Loop resistance	max. 16,42 Ω/km
Insulation resistance	min. 1 MΩxkm
Mutual capacitance	max. 80 nF/km (at 167 kHz)
Inductance	0,85 mH/km ± 0,45 mH/km (at 167 kHz)
Characteristic impedance	105 Ω ± 35 Ω (at 167 kHz)
Signal propagation time	≤ 8.3ns/m (at 167 kHz)
Maximum operating voltage	AS-i: 300 V
Nominal voltage	EN/IEC: 32 V DC
Test voltage	core/core: 1500 V

Mechanical and thermal properties

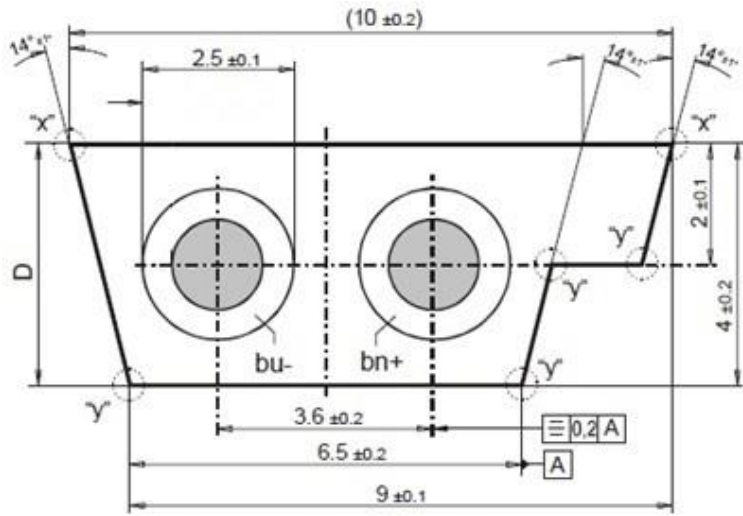
Minimum bending radius	fixed installation: 3x outer diameter occasional flexing: 6x outer diameter
Temperature range	fixed installation: -40 °C up to +85 °C occasional flexing: -25 °C up to +85 °C
Halogen free	acc. to IEC 60754-1 resp. EN 60754-1
Weather and UV resistance	acc. to. ISO 4892-2, method A
General requirements	This cable is conform to EU-Directive 2014/35/EU (Low Voltage Directive) and to EU-Directive 2011/65/EU (RoHS, Restriction of the use of certain hazardous substances).
Environmental information	These cables meet the substance-specific requirements of the EU Directive 2011/65/EU (RoHS).

Creator: KIOS / PDC	Document: DB2170371EN	Page 1 of 2
Released: ALTE / PDC	Version: 04	

2170371	DATA SHEET	
valid from: 25.11.2022	UNITRONIC® BUS ASI LD G YE 2x2,5	

Dimensions

Dimensions acc. to IEC 62026-2



*x': R = max. 0.2; *y: R = max. 0.5

Creator: KIOS / PDC Released: ALTE / PDC	Document: DB2170371EN Version: 04	Page 2 of 2
---	--------------------------------------	-------------