


21700652	<b>DATA SHEET</b>	
Valid from: 08.07.2021	<b>EPIC® DATA ED-IE-AXS-6A-A-20-FC</b>	

## Description

- Field mountable RJ45-connector acc. IEC 60603-7-51, Cat.6<sub>A</sub>, shielded
- Color coding acc. EIA/TIA-568 A/B
- For industrial ethernet



## General characteristics

Connection method, connector	RJ45-plug, field mountable
Number of pins	8
Ambient temperature	-40°C to +85°C (-40°F to 185°F)
Degree of protection	IP 20
Shielding	Shielded
For cable-Ø	Ø5.5 mm to Ø10.0 mm

## Variation

Article	Description	Valid cu-conductor	Valid insulation-Ø	Pin assignment
21700652*	ED-IE-AXS-6A-A-20-FC	AWG22/1 to AWG24/1 AWG22/7 to AWG27/7	1,0 - 1,6	EIA/TIA-568A
21700653*	ED-IE-AXS-6A-B-20-FC	AWG22/1 to AWG24/1 AWG22/7 to AWG27/7	1,0 - 1,6	EIA/TIA-568B
21700654**	ED-IE-AXS-6A-A-20-FD-FC	AWG24/1 to 26/1 AWG24/7 to AWG27/7	0,85 - 1,1	EIA/TIA-568A
21700655**	ED-IE-AXS-6A-B-20-FD-FC	AWG24/1 to 26/1 AWG24/7 to AWG27/7	0,85 - 1,1	EIA/TIA-568B

## Additional note

\* Released Lapp-cables (for AWG22/19) 2170888.

\*\* Released Lapp-cables (for AWG26/19) 2170488, 2170489, CE217489, 2170289.


## Electrical properties

Rated voltage	50 VAC / 60 VDC (max.)
Rated current at 50 °C	1 A
Pollution degree	2
Contact resistance	≤ 20 mΩ
Insulation resistance	≥ 500 MΩ
Withstand voltage	≥ 1000 VDC contact to contact ≥ 1500 VDC contact to shield

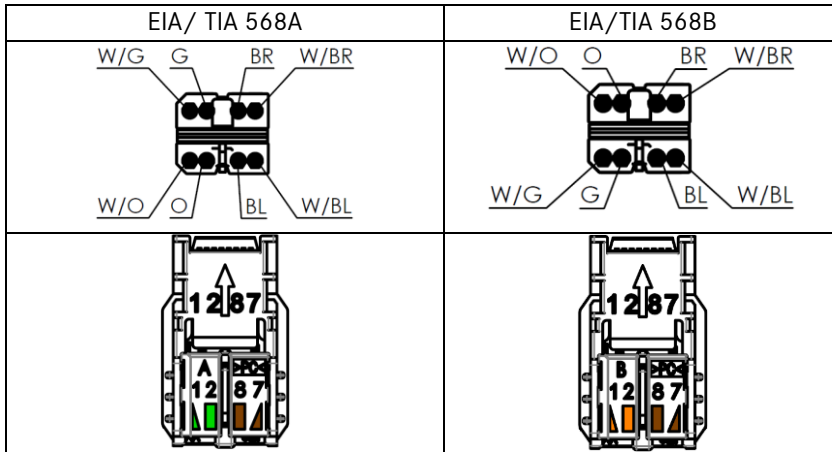
## Transmission characteristics

Category (ISO)	6 <sub>A</sub>
----------------	----------------

Creator: FELI1/PDP Released: IVSE1/PDP	Document: DB21700652EN Version: 02	Page 1 of 3
---	---------------------------------------	-------------

21700652	<b>DATA SHEET</b>	
Valid from: 08.07.2021	<b>EPIC® DATA ED-IE-AXS-6A-A-20-FC</b>	

### Connector pin assignment



### Mechanical properties

#### RJ45-plug

Inflammability class according to UL 94

Connector housing, material

Contact housing, material

Wire presorting, material

Hook, material

Strain relief lever, material

Protection cap, material

Screening shield, material

PCB, material

Piercing contacts, material

Shield contact, material

Contact, material

V0

Zink diecast Ni plated

PC crystal clear (article 21700652 to 21700653)

PC green (article 21700654 to 21700655)

PC white (article 21700652 to 21700653)

PC grey (article 21700654 to 21700655)

PC black

PBT black

PBT black

spring steel

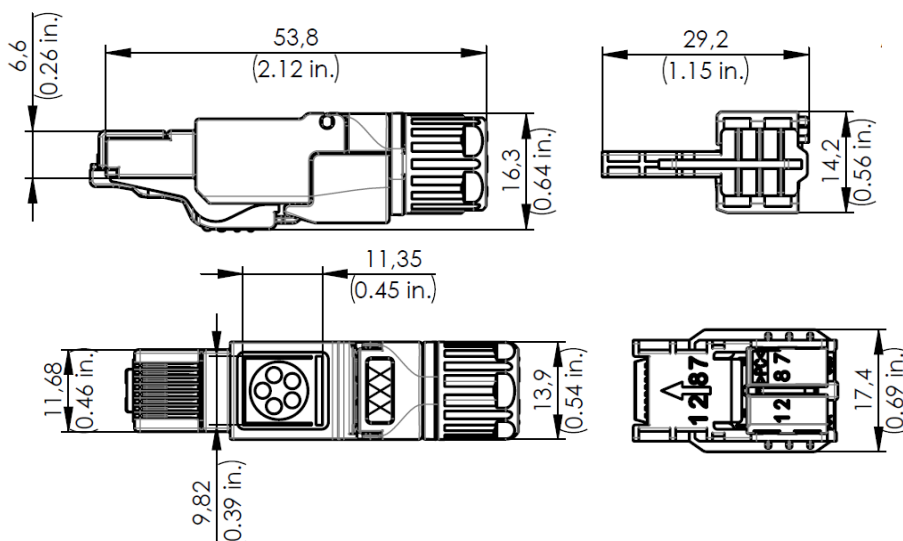
FR4, soldermask both side

phosphor bronze, sn plated


brass, ni plated

spring steel, gold plated

### Technical drawing



Creator: FELI1/PDP Released: IVSE1/PDP	Document: DB21700652EN Version: 02	Page 2 of 3
---	---------------------------------------	-------------

21700652	<b>DATA SHEET</b>	
Valid from: 08.07.2021	<b>EPIC® DATA ED-IE-AXS-6A-A-20-FC</b>	

### Standards / Approvals

Product standard, RJ45-connector	IEC 60603-7-51
Generic cabling for customer premises – General requirements	ISO/IEC 11801
Transmission rate up to 10Gbit	acc. IEEE 802.3an
POE+	acc. IEEE 802.3at
4PPoE	acc. IEEE 802.3bt

### Approvals

UL listed, E-File	DUXR.E353543
-------------------	--------------

### Application range

Automation, industrial machinery and plant engineering

### Note

Photographs are not true to scale and do not represent detailed images of the respective products.

Creator: FELI1/PDP Released: IVSE1/PDP	Document: DB21700652EN Version: 02	Page 3 of 3
---	---------------------------------------	-------------