


21700633	<b>DATA SHEET</b>	
Valid from: 17.09.2018	<b>EPIC® DATA ED-IE-RJ45F-AC-DC</b>	

## Description

- Bulkhead protective cap for IP68\*-housing 21700632
- For industrial Ethernet



## General characteristics

Adaptable for	21700632
Ambient temperature	-40°C to +85°C (-40°F to 185°F)
Degree of protection	IP 68* (0.5h / 20 m)
Tightening torque	3.0 Nm (max.)

### Additional note

\* IP68 only in combination with 21700632

## Mechanical properties

### Bulkhead protective cap

protective cap, material

brass, Ni plated

O-ring

silicone red

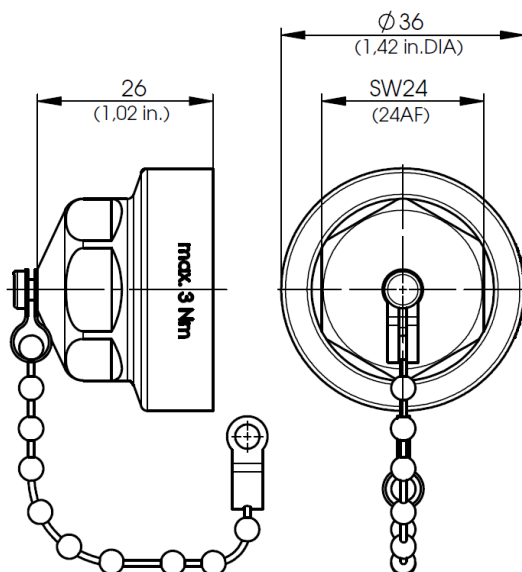
bead chain, material

brass, Ni plated


bead chain closer, material

brass, Ni plated

## Technical drawing



Creator: FELI1/PDP Released: IVSE1/PDP	Document: DB21700633EN Version: 00	Page 1 of 2
---	---------------------------------------	-------------

21700633	<b>DATA SHEET</b>	
Valid from: 17.09.2018	<b>EPIC® DATA ED-IE-RJ45F-AC-DC</b>	

### Standards / Approval

Degree of protection (IP code)

IEC 60529

### Application range

Automation, industrial machinery and plant engineering

### Note

Photographs are not true to scale and do not represent detailed images of the respective products.

Creator: FELI1/PDP Released: IVSE1/PDP	Document: DB21700633EN Version: 00	Page 2 of 2
---	---------------------------------------	-------------