


21700632	<b>DATA SHEET</b>	
Valid from: 17.09.2018	<b>EPIC® DATA ED-IE-RJ45F-6A-B-68-FC</b>	

## Description

- Field mountable RJ45-jack, Cat.6<sub>A</sub>, shielded
- IP68\*-housing included
- Pin assignment EIA/TIA-568B
- For industrial Ethernet



## General characteristics

Connection method, connector	RJ45-jack, field mountable
Number of pins	8
Ambient temperature	-40°C to +85°C (-40°F to 185°F)
Degree of protection	IP 68* (0.5h / 20 m)
Shielding	Shielded
For conductor	AWG22/1 to AWG24/1 AWG22/7 to AWG27/7
For insulation-Ø	Ø0.85 mm to Ø1.6 mm
For cable-Ø	Ø6.5 mm to Ø9.0 mm
Life (mating cycles) IP68 housing	≥100
Reusable IDC (RJ45-jack)	≤4

### Additional Note

\* IP68 only in combination with 21700630 and 21700632 or 21700632 and 21700633

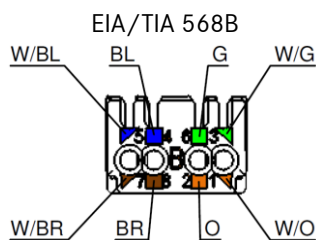
## Electrical properties

Rated voltage	50 VAC / 60 VDC (max.)
Rated current at 50 °C	1 A
Pollution degree	2
Contact resistance	≤ 20 mΩ
Insulation resistance	≥ 500 MΩ
Withstand voltage	≥ 1000 VDC contact to contact ≥ 1500 VDC contact to shield


## Transmission characteristics

Category (ISO)	6 <sub>A</sub>
----------------	----------------

## Connector pin assignment



Creator: FELI1/PDP Released: IVSE1/PDP	Document: DB21700632EN Version: 00	Page 1 of 3
---	---------------------------------------	-------------

21700632	<b>DATA SHEET</b>	
Valid from: 17.09.2018	<b>EPIC® DATA ED-IE-RJ45F-6A-B-68-FC</b>	

## Mechanical properties

### IP68-bulkhead housing

Bulkhead housing, material

Brass, Ni plated

O-ring, material

Silicone red

### RJ45-jack

Inflammability class according to UL 94

V0

Connector housing, material

Zink die cast, Ni plated

Snap arm für cable trap, material

PC black

Slide for shield contact, material

PC black

Shield

German silver

Wire pre-sorting, material

PBT white

Insulating plate/body, material

PC white

PCB, material

FR4, tin-plated

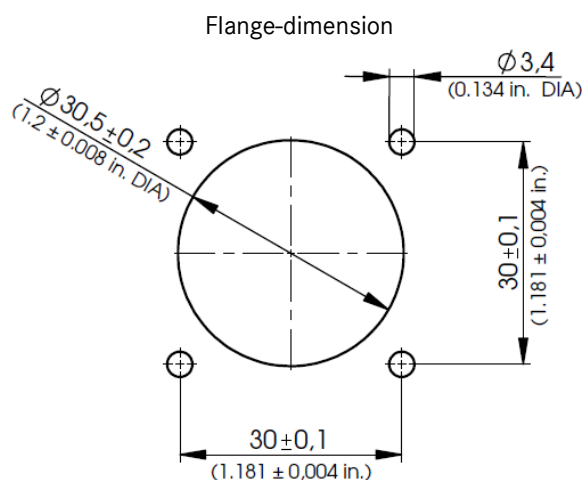
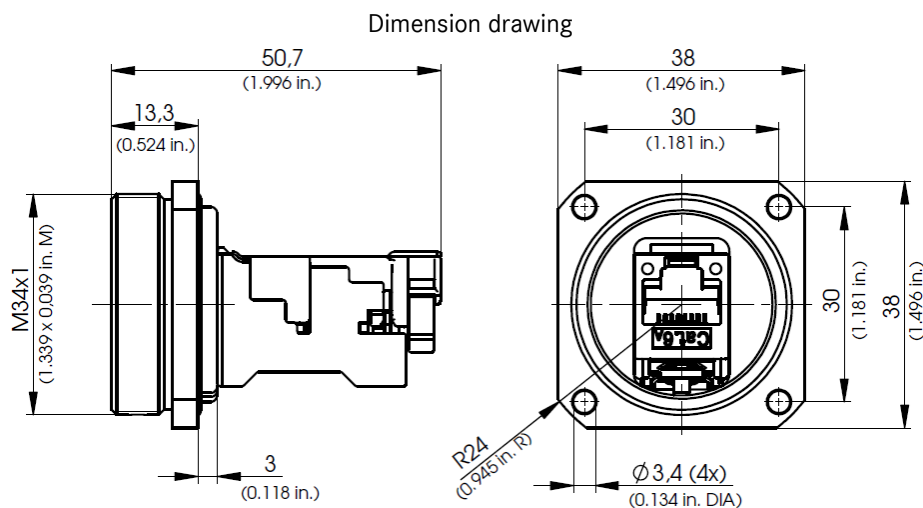
Contact spring, material

Spring steel

IDC, material

Copper alloy, Sn plated


## Technical drawing



Creator: FELI1/PDP Released: IVSE1/PDP	Document: DB21700632EN Version: 00	Page 2 of 3
---	---------------------------------------	-------------

We reserve all rights according to DIN ISO 16016.

PD 0019/05\_04.18EN

21700632	<b>DATA SHEET</b>	
Valid from: 17.09.2018	<b>EPIC® DATA ED-IE-RJ45F-6A-B-68-FC</b>	

### Standards / Approval

Product standard, RJ45-connector	IEC 60603-7-51
Generic cabling for customer premises – General requirements	ISO/IEC 11801
Transmission rate up to 10GBit	acc. IEEE 802.3an
POE+	acc. IEEE 802.3at

### Application range

Automation, industrial machinery and plant engineering

### Note

Photographs are not true to scale and do not represent detailed images of the respective products.

Creator: FELI1/PDP Released: IVSE1/PDP	Document: DB21700632EN Version: 00	Page 3 of 3
---	---------------------------------------	-------------