


|                           |  |   |
|---------------------------|--|---|
| 21700630                  | <b>DATA SHEET</b>                          |  |
| Valid from:<br>17.09.2018 | <b>EPIC® DATA ED-IE-AX-RJ45-6A-B-68-FC</b> |   |

## Description

- Field mountable RJ45-plug, Cat.6<sub>A</sub>, shielded
- IP68\*-housing included
- Pin assignment EIA/TIA-568B
- For industrial Ethernet



## General characteristics

|                                   |  |
|-----------------------------------|--|
| Connection method, connector      | RJ45-plug, field mountable               |
| Number of pins                    | 8  |
| Ambient temperature               | -40°C to +85°C (-40°F to 185°F)          |
| Degree of protection              | IP 68* (0.5h / 20 m)                     |
| Shielding                         | Shielded                                 |
| For conductor                     | AWG22/1 to AWG24/1<br>AWG22/7 to AWG27/7 |
| For insulation-Ø                  | Ø0.85 mm to Ø1.6 mm                      |
| For cable-Ø                       | Ø6.5 mm to Ø9.0 mm                       |
| Life (mating cycles) IP68 housing | ≥100                                     |

### Additional note

\* IP68 only in combination with 21700630 and 21700631 or 21700630 and 21700632

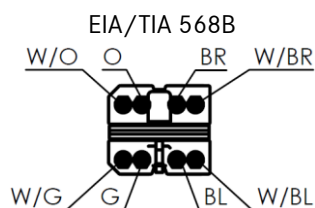
## Electrical properties

|                        |   |
|------------------------|---|
| Rated voltage          | 50 VAC / 60 VDC (max.)  |
| Rated current at 50 °C | 1 A   |
| Pollution degree       | 2   |
| Contact resistance     | ≤ 20 mΩ   |
| Insulation resistance  | ≥ 500 MΩ  |
| Withstand voltage      | ≥ 1000 VDC contact to contact<br>≥ 1500 VDC contact to shield |


## Transmission characteristics

|                |                |
|----------------|----------------|
| Category (ISO) | 6 <sub>A</sub> |
|----------------|----------------|

## Connector pin assignment



|   |                                       |             |
|---|---------------------------------------|-------------|
| Creator: FELI1/PDP<br>Released: IVSE1/PDP | Document: DB21700630EN<br>Version: 00 | Page 1 of 2 |
|---|---------------------------------------|-------------|

|                           |  |   |
|---------------------------|--|---|
| 21700630                  | <b>DATA SHEET</b>                          |  |
| Valid from:<br>17.09.2018 | <b>EPIC® DATA ED-IE-AX-RJ45-6A-B-68-FC</b> |   |

## Mechanical properties

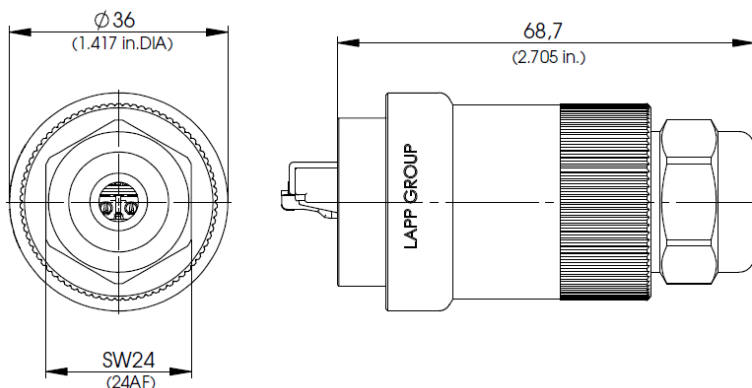
### IP68-housing

|                          |                          |
|--------------------------|--------------------------|
| Cap nut/sleeve, material | Zink die cast, Ni plated |
| O-ring, material         | silicone red             |
| Sealing insert, material | silicone transparent     |

### RJ45-plug

|   |                            |
|---|----------------------------|
| Inflammability class according to UL 94 | V0                         |
| Connector housing, material             | Zink diecasting Ni plated  |
| Contact housing, material               | PC crystal clear           |
| Wire pre-sorting, material              | PC white                   |
| Hook, material                          | PBT black                  |
| Strain relief lever, material           | PBT black                  |
| Protection cap, material                | PBT black                  |
| PCB, material                           | FR4                        |
| Piercing contacts, material             | phosphor bronze, Sn plated |
| Shield contact, material                | brass, Ni plated           |
| Contact, material                       | spring steel, gold plated  |

## Technical drawing



## Standards / Approvals

|  |   |
|--|---|
| Product standard, RJ45-connector                             | IEC 60603-7-51                                      |
| Generic cabling for customer premises – General requirements | ISO/IEC 11801, Chapter 13, Categorie 6 <sub>A</sub> |
| Transmission rate up to 10Gbit                               | acc. IEEE 802.3an                                   |

## Application range

Automation, industrial machinery and plant engineering

## Note

Photographs are not true to scale and do not represent detailed images of the respective products.

|   |                                       |             |
|---|---------------------------------------|-------------|
| Creator: FELI1/PDP<br>Released: IVSE1/PDP | Document: DB21700630EN<br>Version: 00 | Page 2 of 2 |
|---|---------------------------------------|-------------|