


21700144	DATA SHEET	
Valid from: 19.05.2023	ETHERLINE® ACCESS UF(P*)T	

Description

- Fast Ethernet Network-Switch (10/100BaseT(X)), unmanaged
- Ports: RJ45
- Space-saving design for DIN rail
- Designed for industrial environment (protection class IP20)
- PROFINET Conformance Class A (8/16 port in general, 5 port switch from hardware (HW) version 21 and later)




General characteristics

Interfaces	RJ45 Port: 10/100BaseT(X) auto-negotiation, full-/halfduplex-mode and Auto-MDI/MDI-X-connection
Switch properties	MAC-table size: UF05-T: 1 K UF08-T: 16 K, from HW-Version 21: 1 K UF16-T: 2x 16 K Packet puffer size: UF05-T: 512 Kbit, HW Version 21 and later: 448 Kbit UF08-T: 2048 Kbit, HW-Version 21 and later: 448 Kbit UF16-T : 2x 2048 Kbit Protocol: LLDP & PTCP Delay-Traffic Blocking (UF-08T & UF16-T) in general, UF-05T from HW Version 21 and later operating temp.: -25°C to +75°C (-13°F to 167°F) storage temp.: -40°C to +85°C (-40°F to 185°F) 5% to 95 % (non-condensing) 2 IEEE 802.3i (10BaseT) IEEE 802.3u (100BaseTX) IEEE 802.3x (Flow control) IEEE 802.1Q (QoS) (UF08-T & UF16-T in general, UF05-T from HW Version 21 and later) Store and Forward 311.418 Std @ MIL-HDBK-217 (UF05T) 260.172 Std @ MIL-HDBK-217 (UF08T) 145.591 Std @ MIL-HDBK-217 (UF16T)
Temperature range	
Relative humidity	
Pollution degree	
Standards	
Processing type	
MTBF (mean time between failures)	

Variation

Article	Description	Ports (P*) [amount]
21700144	ETHERLINE ACCESS UF05T	05
21700145	ETHERLINE ACCESS UF08T	08
21700146	ETHERLINE ACCESS UF16T	16

Creator: THLE3/PDP Released: DAMU1/PDP	Document: DB21700144EN Version: 04	Page 1 of 3
---	---------------------------------------	-------------

21700144	DATA SHEET	
Valid from: 19.05.2023	ETHERLINE® ACCESS UF(P*)T	

Power requirements

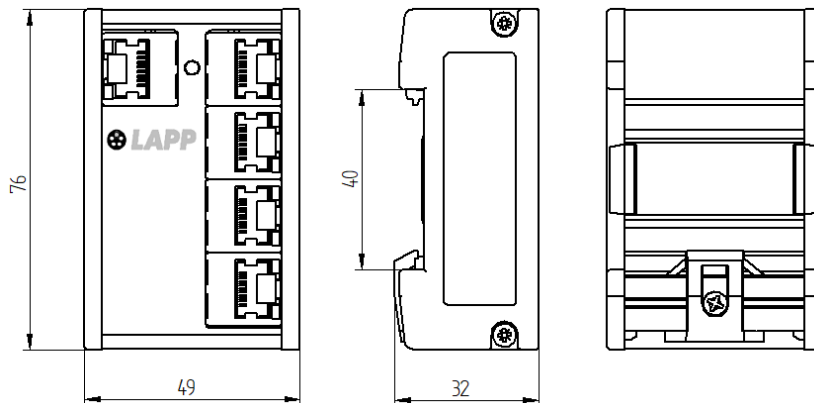
Input voltage	24 V DC (18-30V DC)
Input current (max.) at +24 V DC	60 mA (UF05T) 100 mA (UF08T) 100 mA (UF16T)
Reverse polarity protection	support
Overload voltage protection	support

Physical properties


IP class	IP20
Weight	0.11 kg (UF05T) 0.15 kg (UF08T) 0.27kg (UF16T)
Installation	DIN-rail mounting

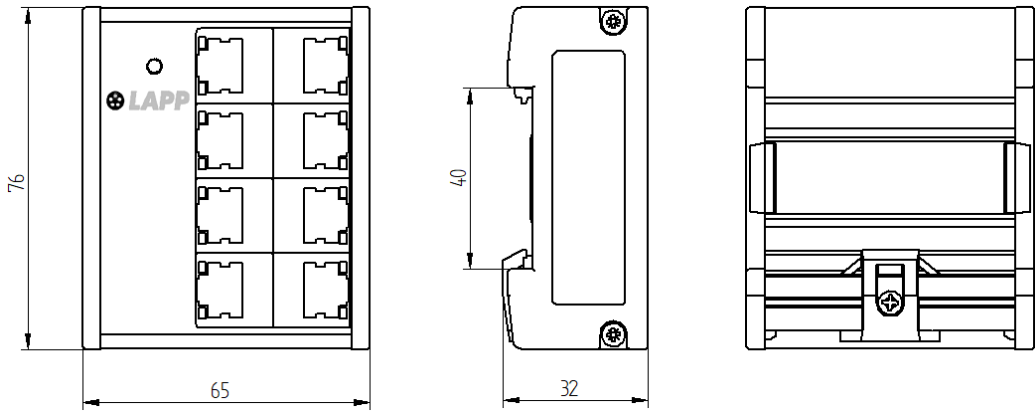
Technical drawing

Dimensional drawing (UF05T)

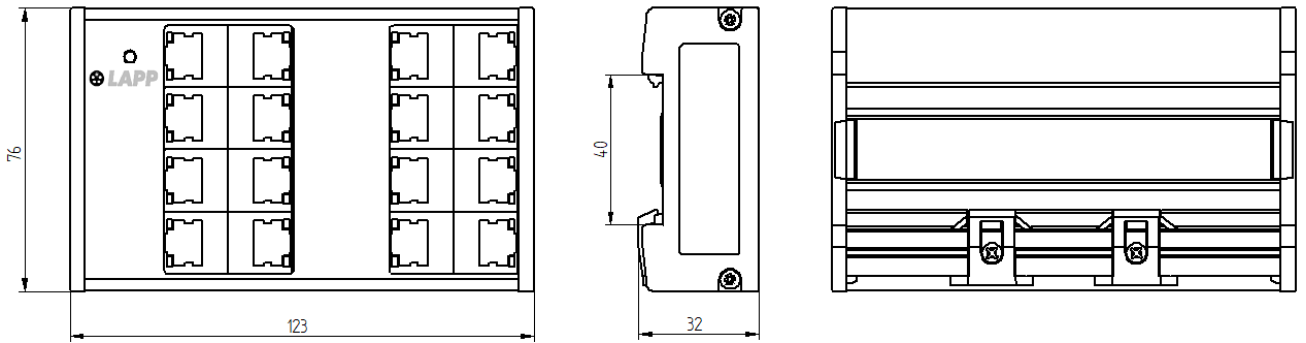


Dimensional drawing (UF08T)

21700144	DATA SHEET	
Valid from: 19.05.2023	ETHERLINE® ACCESS UF(P*)T	



Dimensional drawing (UF16T)



Standards and approvals

EMC

DIN EN 61000-6-2

Approvals

DIN EN 61000-6-4

CE

PROFINET

UL (E331560)

Conformance Class A (UF08T /UF16T)

Application range

Automation, industrial machinery and plant engineering

Note

Photographs are not to scale and do not represent detailed images of the respective products.

Creator: THLE3/PDP Released: DAMU1/PDP	Document: DB21700144EN Version: 04	Page 3 of 3
---	---------------------------------------	-------------