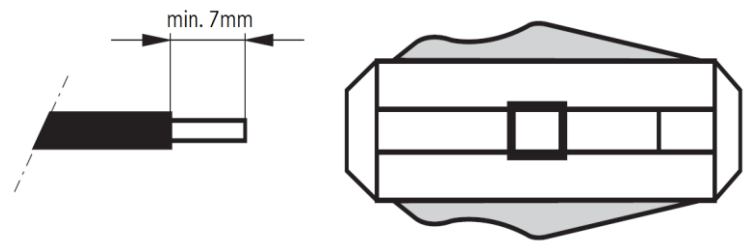


29150098	<b>INSTRUCTION SHEET</b>
Valid from: 07.09.2018	<b>POF Connector F05 Simplex /50ST</b>

## Assembly

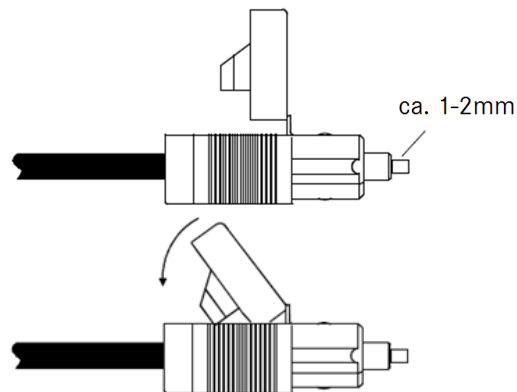
### 1) Fibre stripping

Strip off min. 7mm of outer jacket of the POF-cable



### 2) Connector mounting

Insert stripped POF-cable from backside into connector until mechanical stop reached. Fibre should protrude ca. 1-2mm.



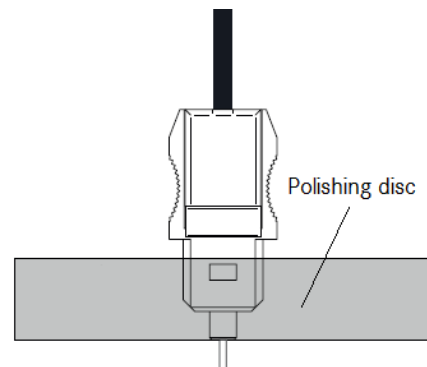
Press down latch into connector body until a hearable sound signals correct connector-to-cable fixation.

### 3) Polishing

Insert connector completely into polishing disc.

Press down polishing disc on polish film (P1000).

Polish the fibre until fibre is even to bottomside of polishing disc.



## Recommended tools

Article	Description
29500011	POF BUFFERED FIBRE STRIPPER 2.2 MM
29500035	POLISHING DISC POF F05 CONNECTOR
29500021	POLISHING FILM GRAINING SIZE 1000 (BL)