



75018310	DATA SHEET	
Valid from: 20.05.2021	EPIC® SIGNAL M23 / POWER LS1 ACCESSORIES	

Description

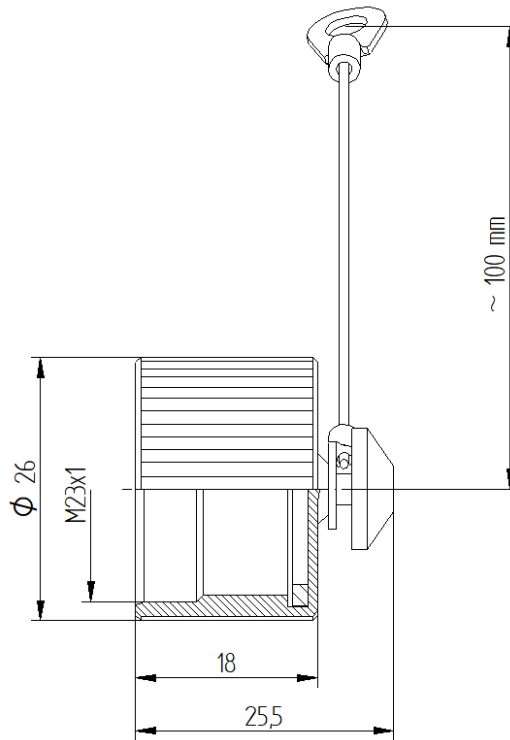
- Accessories for circular connectors:
 - **SIGNAL M23**
 - **POWER LS1**

Article Nr.	Article	Application areas
Accessories		
75018411 ¹⁾	SIGNAL M23 ; POWER LS1 : A, B, protective cap(brass nickel plated), plastic cord (appr. 100 mm) with cable lug	Metal cap for: A1, A3, B1, B2. For direct mounting with one of the mounting screws. Degree of protection: IP68 (10h/1m)
75018412 ²⁾	SIGNAL M23 ; POWER LS1 : F, G protective cap (brass nickel plated), plastic cord (appr. 200 mm) with variable loop	Metal cap for: (A1, A3, B1, B2), F6, F7, G4, G5, G6 For mounting on the housing with the loop Degree of protection: IP68 (10h/1m)
75018410 ³⁾	SIGNAL M23 ; POWER LS1 : D protective cap (brass, nickel plated), plastic cord (appr. 200 mm) with variable loop	Metal cap for: D6, A6
75007810 ⁴⁾	SIGNAL M23 ; POWER LS1 : A, B, F, G protective cap	Plastic cap for: A1, A3, B1, B2, F6, F7, G4, G5, G6 Degree of protection: IP20
75007710 ⁴⁾	SIGNAL M23 ; POWER LS1 : D protective cap	Plastic cap for: D6, A6 Degree of protection: IP20
55001312 ⁵⁾	SILVYN ADAPTER M23 /M20x1,5 brass nickel plated	M20 adapter for EPIC® M23 connectors, replaces the cap nut and allows the connection of a protective conduit system with M20 thread
55001310 ⁵⁾	SILVYN ADAPTER LS1 /M25x1,5 brass nickel plated	M25 adapter for EPIC® LS1 connectors, replaces the cap nut and allows the connection of a protective conduit system with M25 thread

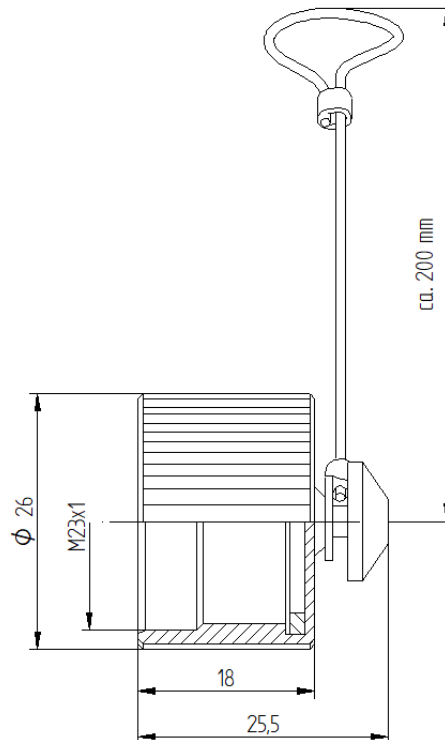
Creator: STKU3/PDP Released: DAMU1/PDP	Document: DB75018310EN Version: 04	Page 1 of 4
---	---------------------------------------	-------------

75018310	DATA SHEET	
Valid from: 20.05.2021	EPIC® SIGNAL M23 / POWER LS1 ACCESSORIES	


1) 75018011



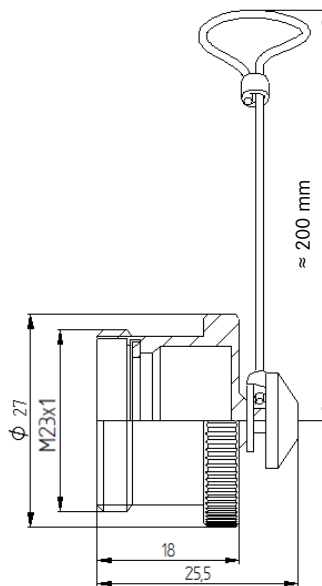
2) 75018412



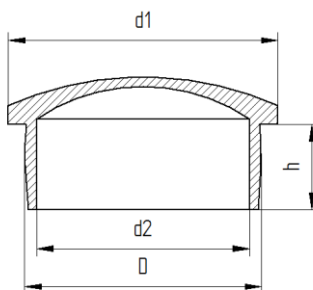
Creator: STKU3/PDP Released: DAMU1/PDP	Document: DB75018310EN Version: 04	Page 2 of 4
---	---------------------------------------	-------------

75018310	DATA SHEET	
Valid from: 20.05.2021	EPIC® SIGNAL M23 / POWER LS1 ACCESSORIES	


3) 75018410



4) 75007810 / 75007710

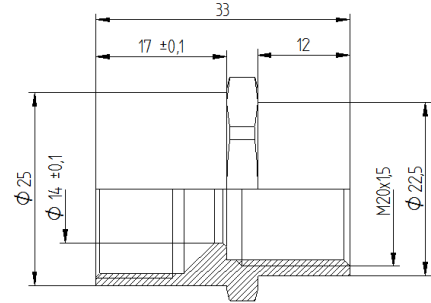
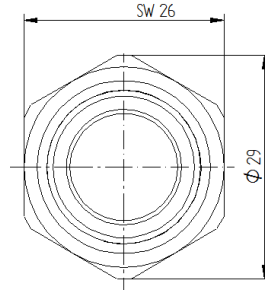


Article number	D	h	d ₁	d ₂
75007810	24,6	9	28,5	22,5
75007710	23,6	9	28,5	21,5

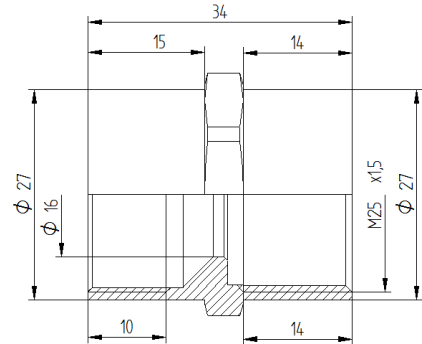
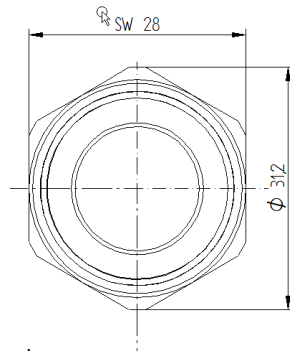
75018310	DATA SHEET	
Valid from: 20.05.2021	EPIC® SIGNAL M23 / POWER LS1 ACCESSORIES	

5) 55001312 / 55001310

55001312



55001310



Remark

Photographs are not to scale and do not represent detailed images of the respective products.

Creator: STKU3/PDP Released: DAMU1/PDP	Document: DB75018310EN Version: 04	Page 4 of 4
---	---------------------------------------	-------------