

75009694	DATA SHEET	
Valid from: 18.09.2020	EPIC® POWER LS1 KIT D6 3+PE+4	

Description

- Circular connectors for servomotors and power supply
- High power at smallest installation space
- Optimal solution for electric motors
- EMC-optimised design
- Safety use in field environment by high protection class



General Characteristics

Series	POWER LS 1
Version	Cable connector for female contacts
Pin configuration	3+PE+4
Rated voltage (V)	630 V (2mm Contacts) 250 V (1mm Contacts)
Rated impulse voltage	6 kV (2mm Contacts) 4 kV (1mm Contacts)
Rated current (A)	25 A (2mm Contacts) 7 A (1mm Contacts)
Contact resistance	< 4 mOhm
Contacts	Gold plated brass
Number of contacts	3+PE+4
Termination methods	Crimp termination: 0.5 – 2.5 mm ² (2 mm contacts) Crimp termination: 0.14 – 1.0 mm ² (1 mm contacts)
Protection	IP 68 (latched)
Cycle of mechanical operation	500
Temperature range	-25°C to +125°C
Degree of soiling	3

Materials and Surfaces

Housing	Nickel-plated zinc die-casting, nickel-plated brass
Insert	PA
Seal	FPM
Contact	Brass
Contact surface	Gold plated

Approvals

VDE-Approval, VDE-REG.-Nr.	B025
UL-File-Number	E249137

Standard

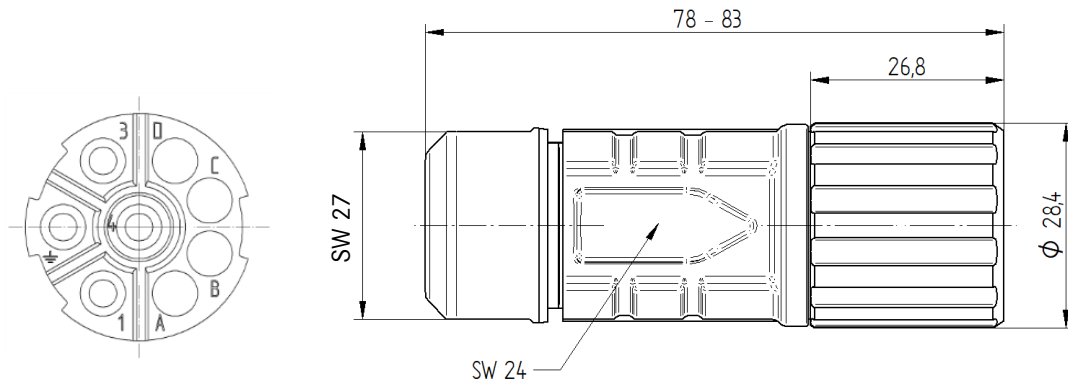
Safety Standard	IEC 61984UL 2238; CSA 22.2 182.3
-----------------	----------------------------------



Creator: STKU3/PDP Released: IVSE1/PDP	Document: DB75009694EN Version: 02	Page 1 of 3
---	---------------------------------------	-------------

75009694	DATA SHEET	
Valid from: 18.09.2020	EPIC® POWER LS1 KIT D6 3+PE+4	

Technical Drawing



Good chemical resistance



Corrosion-resistant



Industrial machinery and plant engineering



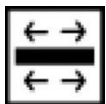
Maximum vibration protection



Mechanical resistance



Assembly time



Optimum strain relief



Space requirement

Creator: STKU3/PDP Released: IVSE1/PDP	Document: DB75009694EN Version: 02	Page 2 of 3
---	---------------------------------------	-------------

75009694	DATA SHEET	
Valid from: 18.09.2020	EPIC® POWER LS1 KIT D6 3+PE+4	



Robust



Integrated SKINTOP® cable gland



Waterproof



Wind Energy



Variety of approval certifications

Application range

Plant engineering

Servo drives and servo assemblies

Remark

Photographs are not to scale and do not represent detailed images of the respective products.

Creator: STKU3/PDP Released: IVSE1/PDP	Document: DB75009694EN Version: 02	Page 3 of 3
---	---------------------------------------	-------------