

75009611	<b>DATA SHEET</b>	
Valid from: 31.10.2018	<b>EPIC® KIT H-A 3 BS TGB M20</b>	

## Description

- H-A inserts, easy to service, with screw termination up to 2.5 mm<sup>2</sup> wire cross section
- The small H-A 3 is used whenever there is minimal space
- Easy cable connection with strait cable entry in the contacts.
- Optimally matched components
- Reduced ordering effort
- No wrong orders



## Components of the combination

Article number of the combination	75009611
Housing	H-A 3 Tgvb M20 (19429000)
Insert	H-A 3 BS (10421000)

## General characteristics

Series	H-A 3
Housing type	Cable coupler hood M20
Version	Female
Connection type	Screw termination
Pin-arrangement	3 + PE
Contact diameter	1 mm
Termination cross section	Screw termination: 0,5 – 2,5 mm <sup>2</sup> (2,5 mm <sup>2</sup> with wire end sleeve, depending on crimp profile)
Degree of protection (DIN EN 60529)	IP 65 (latched)
Degree of protection (NEMA 250/UL 50E)	12, 4 (latched)
Cycles of mechanical operation	100
Temperature range	-40°C to +125°C, short term up to +125

## Materials and surfaces

Housing, base material	PA, grey
Leaver	Zink plated steel
Sealing	NBR
Insert	PA
Contact, base material	Copper alloy
Contact, surface	Hard-silver

## Electrical characteristics

Rated Voltage, IEC	400 V
Rated Voltage, UL	600 V
Rated Voltage, CSA	600 V
Rated Impulse Voltage	4 kV
Rated Current, IEC	23 A
Rated Current, UL	10 A
Rated Current, CSA	10 A
Contact Resistance	1,5 - 4 mOhm
Degree of Soiling	3

Creator: STKU3/PDP	Document: DB75009611EN	Page 1 of 3
Released: IVSE1/PDP	Version: 00	

75009611	<b>DATA SHEET</b>	
Valid from: 31.10.2018	<b>EPIC® KIT H-A 3 BS TGB M20</b>	

### Approvals

VDE-Approval, VDE-REG.-Nr.  
UL File Number  
CSA File Number

B437  
E75770  
053004



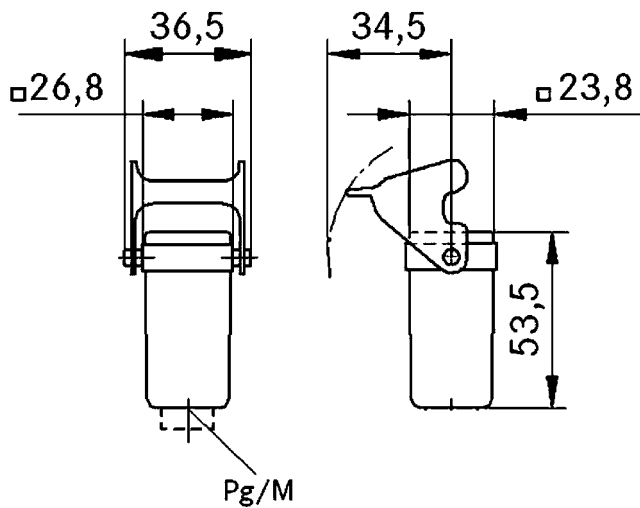
### Standards

Safety Standard

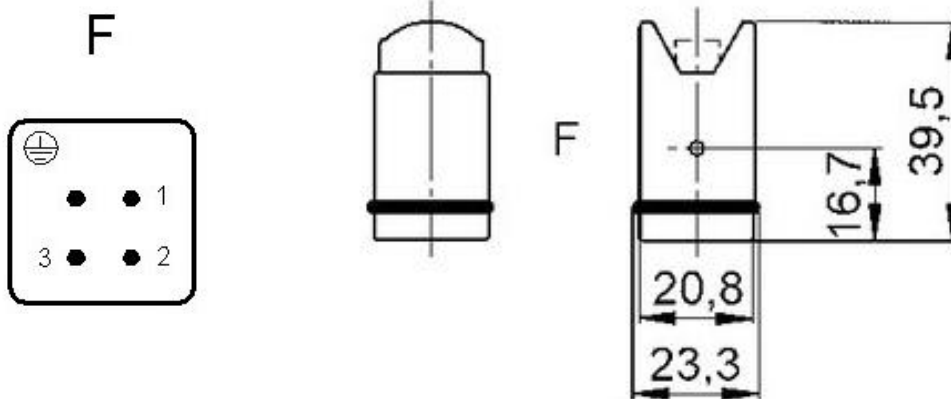
IEC 61984; UL 1977; CSA-C22.2

### Technical Drawings

Housing



Insert



Creator: STKU3/PDP Released: IVSE1/PDP	Document: DB75009611EN Version: 00	Page 2 of 3
---	---------------------------------------	-------------

75009611	<b>DATA SHEET</b>	
Valid from: 31.10.2018	<b>EPIC<sup>®</sup> KIT H-A 3 BS TGB M20</b>	



Industrial machinery and plant engineering



Mechanical resistance



Robust



Waterproof



Assembly time



Space requirement

### Info

Compact, robust housings size H-A 3  
Robust power supply connector  
Straight cable entry into the contacts

### Application range

Machine and equipment manufacturing  
Control engineering  
Electronic laboratory

### Remark

Photographs are not to scale and do not represent detailed images of the respective products.

Creator: STKU3/PDP Released: IVSE1/PDP	Document: DB75009611EN Version: 00	Page 3 of 3
---	---------------------------------------	-------------