


73000000	DATA SHEET	
Valid from: 18.09.2020	EPIC® POWER LS1 D6 3+PE+4	

Description

- Circular connectors for servomotors and power supply
- High power at smallest installation space
- Optimal solution for electric motors
- EMC-optimised design
- Safety use in field environment by high protection class



General Characteristics


Series	POWER LS 1
Version	Cable connector for female contacts
Pin configuration	3+PE+4
Rated voltage (V)	630 V (2mm Contacts) 250 V (1mm Contacts)
Rated impulse voltage	6 kV (2mm Contacts) 4 kV (1mm Contacts)
Rated current (A)	26 A (2mm Contacts) 7 A (1mm Contacts)
Contact resistance	< 4 mOhm
Contacts	Gold plated brass
Number of contacts	3+PE+4
Termination methods	Crimp termination: 0.5 – 2.5 mm ² (2 mm contacts) Crimp termination: 4.0 mm ² (2 mm contacts for 4442089) Crimp termination: 0.14 - 1.0 mm ² (1 mm contacts)
Protection	IP 68 (latched)
Cycle of mechanical operation	500
Temperature range	-25°C to +125°C
Degree of soiling	3

Product Variations

Package unit = 20 pcs: Contacts must be ordered separately

Article- Number	Article	Contacts included	Cable clamping range mm	Pin configuration
Type LS1 D6, Cable connector, 8-pin for female contacts				
73000000	LS1 D6	8	8,5 - 11	3+PE+4
73000002	LS1 D6		8,5 - 11	3+PE+4
73000001	LS1 D6	8	10,5 - 15,5	3+PE+4
73000003	LS1 D6		10,5 - 15,5	3+PE+4
76124000	LS1 D6	8	7,5 - 15,5	3+PE+4
76124510	LS1 D6		7,5 - 15,5	3+PE+4
44420089	LS1 D6 mit 2 mm contact for 4 mm ² termination	8	14 - 17	3+PE+4
44420088	LS1 D6		14 - 17	3+PE+4

Creator: STKU3/PDP Released: IVSE1/PDP	Document: DB73000000EN Version: 04	Page 1 of 3
---	---------------------------------------	-------------

73000000	DATA SHEET	
Valid from: 18.09.2020	EPIC® POWER LS1 D6 3+PE+4	

Materials and Surfaces

Housing	Nickel-plated zinc die-casting, nickel-plated brass
Insert	PA
Seal	FPM
Contact	Brass
Contact surface	Gold plated

Approvals

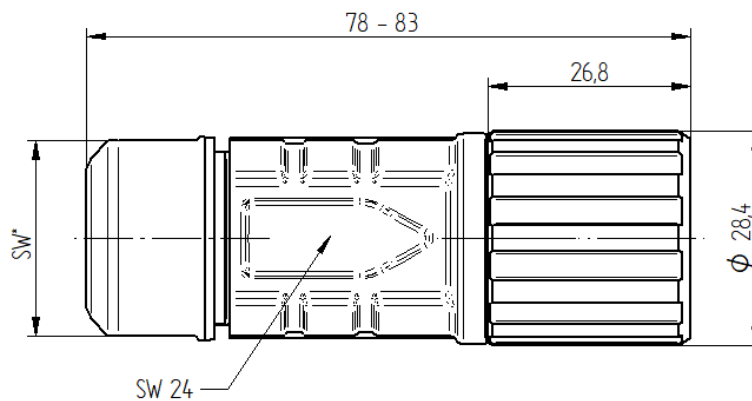
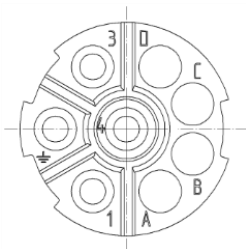
VDE-Approval, VDE-REG.-Nr.	B025
UL-File-Number	E249137;

Standard

Safety Standard IEC 61984; UL 2238; CSA 22.2 182.3



Technical Drawing



Article No.	* Wrench Size
73000000	26
73000002	26
73000001	26
73000003	26
76124000	27
76124510	27
44420089	27
44420088	27



Good chemical resistance




Corrosion-resistant



Industrial machinery and plant engineering

Creator: STKU3/PDP Released: IVSE1/PDP	Document: DB73000000EN Version: 04	Page 2 of 3
---	---------------------------------------	-------------

73000000	DATA SHEET	
Valid from: 18.09.2020	EPIC® POWER LS1 D6 3+PE+4	



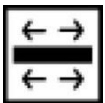
Maximum vibration protection



Mechanical resistance



Assembly time



Optimum strain relief



Space requirement



Robust



Integrated SKINTOP® cable gland



Waterproof



Wind Energy



Variety of approval certifications

Application range

Plant engineering

Servo drives and servo assemblies

Remark

Photographs are not to scale and do not represent detailed images of the respective products.

Creator: STKU3/PDP Released: IVSE1/PDP	Document: DB73000000EN Version: 04	Page 3 of 3
---	---------------------------------------	-------------