


70115200	<b>DATA SHEET</b>	
Valid from: 17.09.2018	<b>EPIC<sup>®</sup> H-B 16 SDRLH-LB</b>	

## Description

- The housing standard.
- Wide choice for all applications.



## General Characteristics

Series	H-B 16
Version	Surface mount base PG 21/PG 29 (Article 70115400)
Protection cover	Yes
Locking	Single lever
Cable entry	2
Protection	IP 65 (latched)
Temperature Range	-40°C to +100°C, short term up to +125°C

## Materials and Surfaces

Housing	Aluminium alloy, powder-coated, grey
Cover	Zinc alloy, powder-coated, grey
Bolt	Zinc-plated steel
Lever	Zinc-plated steel
Sealing	NBR


## Approvals

VDE-Approval, VDE-REG.-Nr.	B437
----------------------------	------

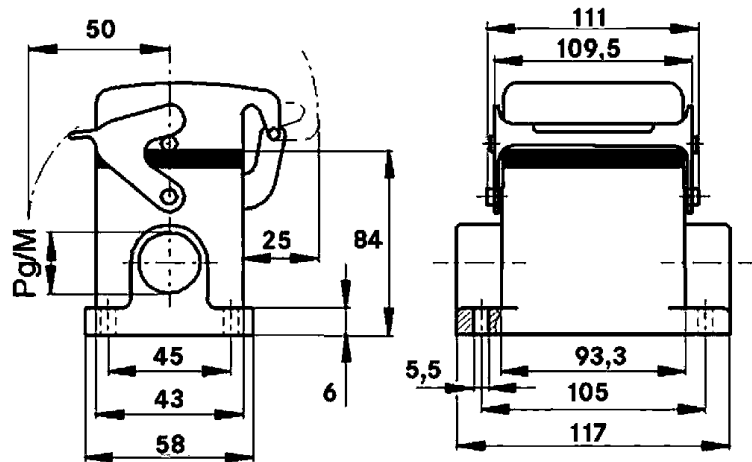
## Standard

Safety Standard	IEC 61984
-----------------	-----------

Creator: MANA2/PDP Released: IVSE1/PDP	Document: DB70115200EN Version: 01	Page 1 of 2
---	---------------------------------------	-------------

70115200	<b>DATA SHEET</b>	
Valid from: 17.09.2018	EPIC® H-B 16 SDR LH-LB	

### Technical Drawings



Automation



Industrial machinery and plant engineering



Mechanical resistance



Robust



Waterproof

### Info

Universal, robust metal housings size H-B 16

### Application range

Plant engineering  
Light & sound technology  
Plastics industry

### Remark

Photographs are not to scale and do not represent detailed images of the respective products.

Creator: MANA2/PDP Released: IVSE1/PDP	Document: DB70115200EN Version: 01	Page 2 of 2
---	---------------------------------------	-------------