


| | | |
|---------------------------|----------------------------|---|
| 70054200 | DATA SHEET |  |
| Valid from: 17.09.2018 | EPIC® H-B 10 TSH-RO | |

Description

- The smallest housing with single and double lever.
- The right housing is available for every application.



General Characteristics

| | |
|------------------------------|---|
| Series | H-B 10 |
| Version | Hood PG21 / PG29 (Article 70054400) |
| Locking | Bolts with plastic rollers for single lever |
| Gland body | Yes |
| Cable entry | Side |
| Protection (DIN EN 60529) | IP 65 (latched) |
| Protection (NEMA 250, UL50E) | 12 (latched) |
| Temperature Range | -40°C to +100°C, short term up to +125°C |

Materials and Surfaces

| | |
|-----------------|--|
| Housing | Aluminium alloy, powder-coated, grey |
| Gland body | Brass, nickel-plated |
| Bolt with reels | Heat-treatable steel, zinc-plated / PA |

Approvals

| | |
|----------------------------|------|
| VDE-Approval, VDE-REG.-Nr. | B437 |
|----------------------------|------|

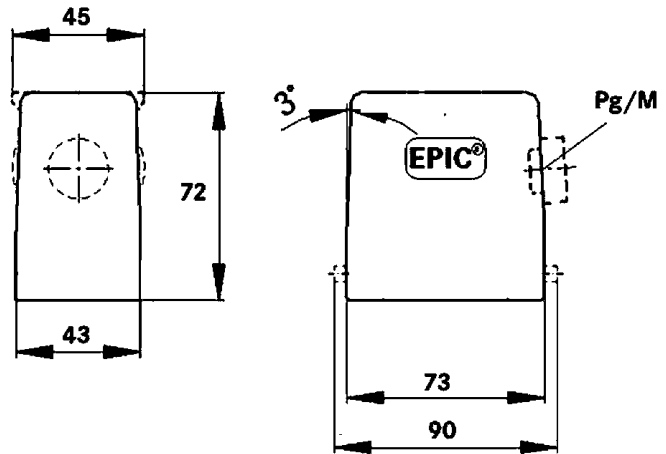
Standard

| | |
|-----------------|-----------|
| Safety Standard | IEC 61984 |
|-----------------|-----------|

| | | |
|---|---------------------------------------|-------------|
| Creator: MANA2/PDP Released: IVSE1/PDP | Document: DB70054200EN Version: 01 | Page 1 of 2 |
|---|---------------------------------------|-------------|

| | | |
|---------------------------|---------------------|---|
| 70054200 | DATA SHEET |  |
| Valid from: 17.09.2018 | EPIC® H-B 10 TSH-RO | |

Technical Drawings



Automation



Industrial machinery and plant engineering



Mechanical resistance



Robust



Waterproof

Info

Universal, robust metal housings size H-B 10

Application range

Plant engineering
Light & sound technology
Plastics industry

Remark

Photographs are not to scale and do not represent detailed images of the respective products.

| | | |
|---|---------------------------------------|-------------|
| Creator: MANA2/PDP Released: IVSE1/PDP | Document: DB70054200EN Version: 01 | Page 2 of 2 |
|---|---------------------------------------|-------------|