


44428235	<b>DATA SHEET</b>	
Valid from: 08.12.2022	<b>EPIC® SOLAR 4 PLUS MALE CONNECTOR</b>	

## Description

- Low contact-resistance for efficient power transmission
- Crimp connection for field mounting
- Suitable for EPIC® SOLAR 4 Plus Female Connector and:

### PV Cable

Name	LAPP KABEL H1Z2Z2-K
Code	H1Z2Z2-K
Cross Section	4,0mm <sup>2</sup> ; 6,0mm <sup>2</sup> ; 10,0mm <sup>2</sup>



## General Characteristics


Series	EPIC® SOLAR 4 Plus
Rated voltage (V)	1500 V AC/DC
Rated impulse voltage	16 kV
Contact resistance	< 0.5 mOhm
Protection	IP 68, (10 h/1m)
Protection class	II
Temperature range	-40°C to +85°C
Degree of soiling	3
Upper Limit Temperature	105°C

## Materials and Surfaces

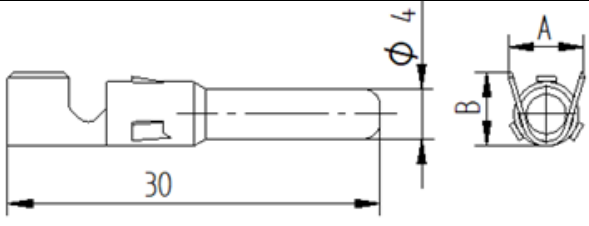
Insulating Body	Polyamid
Nut	Polyamid
Contact	Copper alloy, tin plated

Article Number	Article	Cross section [mm <sup>2</sup> ]	Cable clamping range [mm]	Rated current [A]
EPIC® SOLAR 4 Plus male field-mountable, inclusive contacts				
44428233	EPIC® SOLAR 4 Plus M 2,5 mm	2,5	5,2 - 7,1	22
44428235	EPIC® SOLAR 4 Plus M 4 mm <sup>2</sup> - 6 mm <sup>2</sup>	4 - 6	5,2 - 7,1	30
44428237	EPIC® SOLAR 4 Plus M 10 mm <sup>2</sup>	10	5,2 - 7,1	30
EPIC® SOLAR 4 Plus male contacts as spare part				
44428217	EPIC® SOLAR 4 Plus PIN M 2,5 mm <sup>2</sup>	2,5		
44428219	EPIC® SOLAR 4 Plus PIN M 4-6 mm <sup>2</sup>	4 - 6		
44428239	EPIC® SOLAR 4 Plus PIN M 10 mm <sup>2</sup>	10		

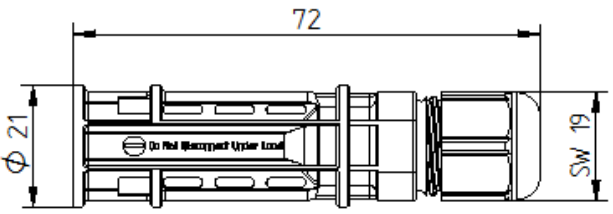
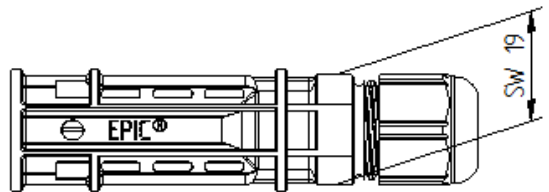
Creator: JOKR1/PDP Released: DAMU1/PDP	Document: DB44428235EN Version: 02	Page 1 of 2
---	---------------------------------------	-------------

44428235	<b>DATA SHEET</b>	
Valid from: 08.12.2022	<b>EPIC® SOLAR 4 PLUS MALE CONNECTOR</b>	

### Technical Drawings



44428239	Male Contact 10 mm <sup>2</sup>	5,6	7,9
44428219	Male Contact, 4-6 mm <sup>2</sup>	4,8	5,9
44428217	Male Contact, 2,5 mm <sup>2</sup>	3,2	4,3
Mat. No.	Designation	A	B






**TÜVRheinland**  
ZERTIFIZIERT

Bauart geprüft  
Sicherheit  
Regelmäßige  
Produktions-  
überwachung



www.tuv.com  
ID 1111217275

-  Solar Energy
-  UV-resistant
-  Waterproof

#### Info

4 mm connector system with double hook  
Field-mountable solar connector

#### Application range

Photovoltaic plants  
Crystalline and thin-film constructions  
Solartracker

#### Product features

4 mm connector system with double hook  
Inclusive contacts

#### Remark

Photographs are not to scale and do not represent detailed images of the respective products.

Creator: JOKR1/PDP Released: DAMU1/PDP	Document: DB44428235EN Version: 02	Page 2 of 2
---	---------------------------------------	-------------