
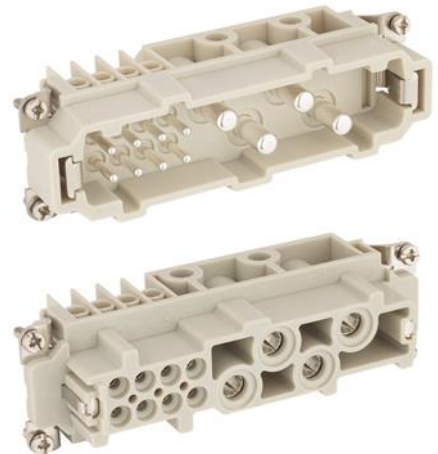


44424053	DATA SHEET	
Valid from: 17.08.2020	EPIC® K4/8 SS/BS	

Description

- 4+8 Pin inserts for harnessing in housings of the EPIC® H-B 24 and EPIC® H-B 48 family
- Suitable for the general machinery and plant engineering, renewable energy, plastic industry and railway applications
- 4 power contacts
8 Signal contacts



General Characteristics

Series	EPIC® K 4/8
Version	Male: EPIC® K 4/8 SS partnumber 44424053 Female: EPIC® K 4/8 BS partnumber 44424054
Wire Protection	No
Number of Contacts	4 + 8 + PE
Termination Methods Signal	Screw termination: 0.5 - 2.5 mm ²
Termination Methods Power	Screw termination: 1,5 - 16,0 mm ²
Temperature Range	-40°C to +125°C

Mechanical Characteristics

Cycle of mechanical operation	500
-------------------------------	-----

Electrical Characteristics

Rated Voltage, IEC (Signal&Power)	400 V
Rated Voltage, UL (Signal&Power)	600 V
Rated Voltage, CSA (Signal&Power)	600 V
Rated Impulse Voltage (Signal&Power)	6 kV
Rated Current Signal	16 A
Rated Current Power	80 A
Contact Resistance	< 5mOhm
Degree of Soiling	3

Materials and Surfaces

Contacts	Copper alloy, silver-plated
Insulating Body	PC
Flammability Class according to UL 94	V0
Railway applications EN 45545-2	Requirement sets R22 and R23 Hazard level HL1, HL2 and HL3


Approvals

UL-Approval, E-File-Number	E75770
----------------------------	--------

Standard

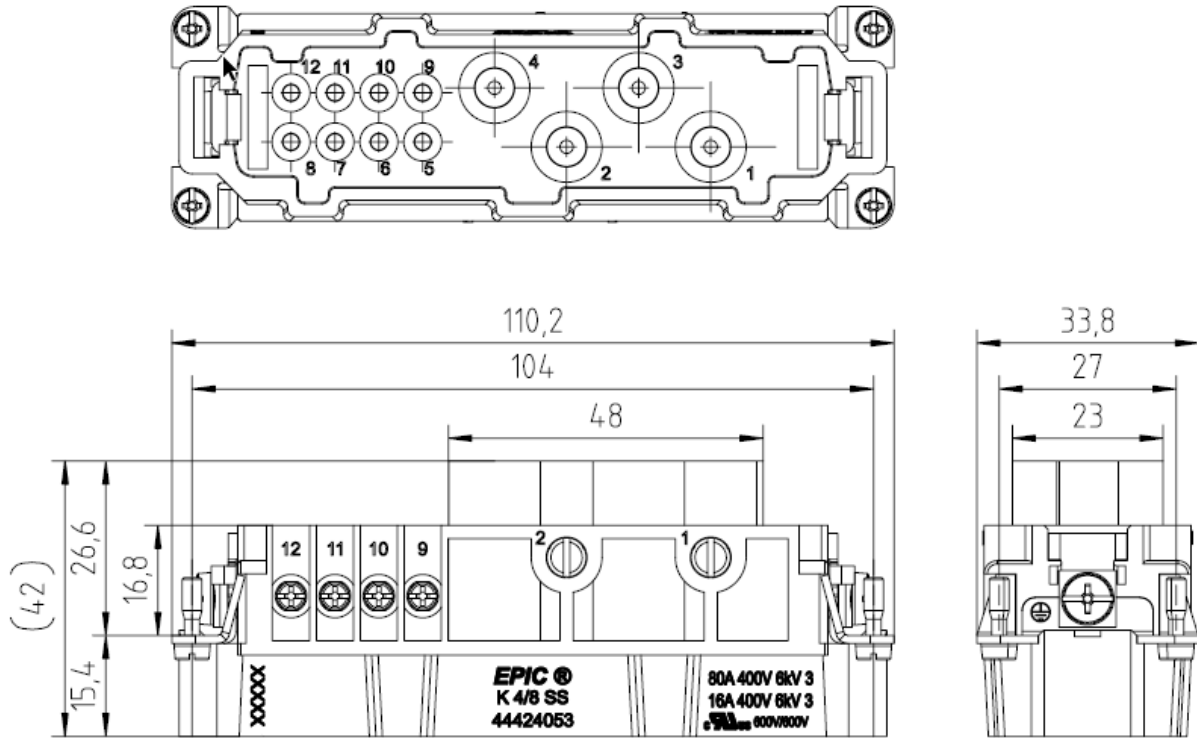
Safety Standard	IEC 61984; UL 1977; CSA 22.2 182.3
-----------------	------------------------------------

Creator: STKU3/PDP Released: IVSE1/PDP	Document: DB44424053EN Version: 00	Page 1 of 3
-------------------------------------------	---------------------------------------	-------------

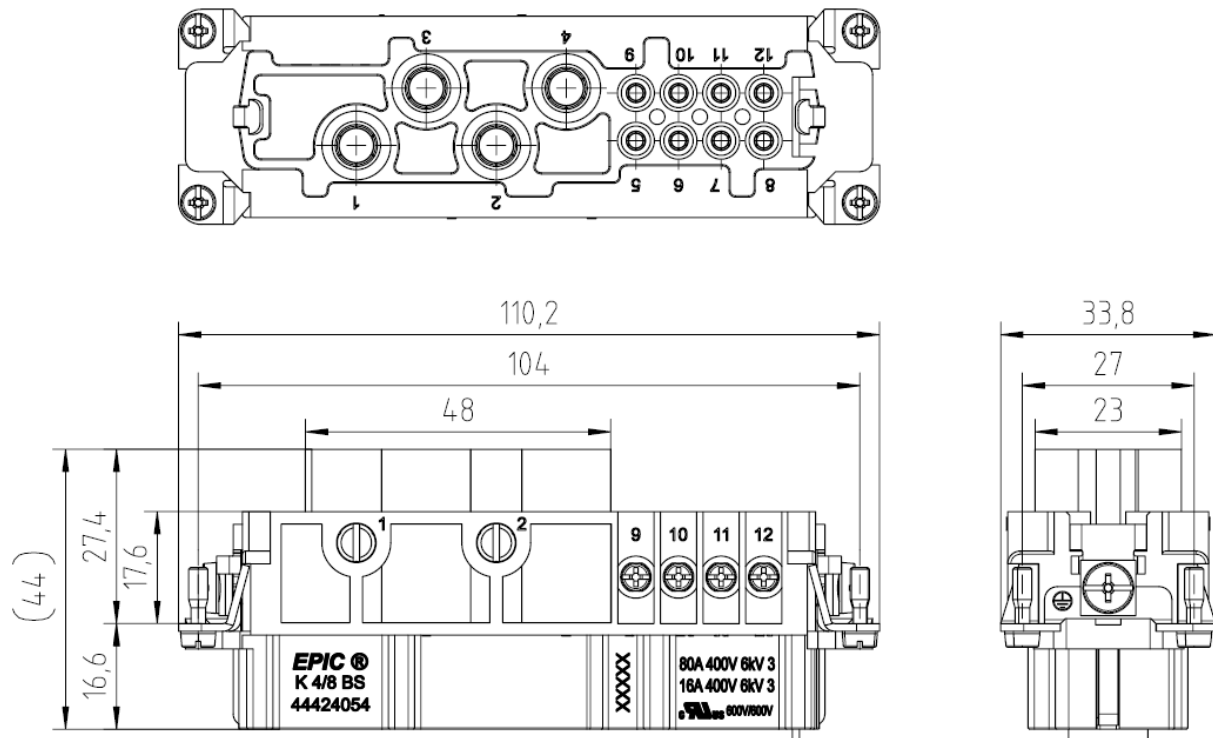
44424053	DATA SHEET	
Valid from: 17.08.2020	EPIC® K4/8 SS/BS	

Technical Drawing


Male:



Female:



Creator: STKU3/PDP Released: IVSE1/PDP	Document: DB44424053EN Version: 00	Page 2 of 3
-------------------------------------------	---------------------------------------	-------------

44424053	DATA SHEET	
Valid from: 17.08.2020	EPIC® K4/8 SS/BS	



Robust



Temperature-resistant

Info

Multifunctional insert for versatile applications

Application range

Machine building, Mechanical engineering, renewable energy, plastic industry and the railway industry

Remark

Photographs are not to scale and do not represent detailed images of the respective products.

Creator: STKU3/PDP Released: IVSE1/PDP	Document: DB44424053EN Version: 00	Page 3 of 3
-------------------------------------------	---------------------------------------	-------------