


44424008	DATA SHEET	
Valid from: 17.09.2018	EPIC® MC MODUL PNEUMATIC 2pole	

Description

- The mixed assembly guarantees high flexibility. For applications in mechanical and plant engineering, for printing machines and slide-in technology.
- Assembly of individual connectors, suitable for different applications



General Characteristics

Article- number	Article	Version	Contacts	Max. pressure
Module: Pneumatic 1pole				
44424008	MCS 2x2,5 PNEU (10)	Male	2	10
44424009	MCB 2x2,5 PNEU (10)	Female with valve	2	10
44424010	MCS 2x4,0 PNEU (10)	Male	2	10
44424011	MCB 2x4,0 PNEU (10)	Female with valve	2	10

Termination Methods

Temperature Range

Plug-in connection:

for hose with inner diameter Ø 2.5 mm/4.0mm

-20°C to +100°C

Mechanical Characteristics

Cycle of mechanical operation

100

Materials and Surfaces


Contact

Brass

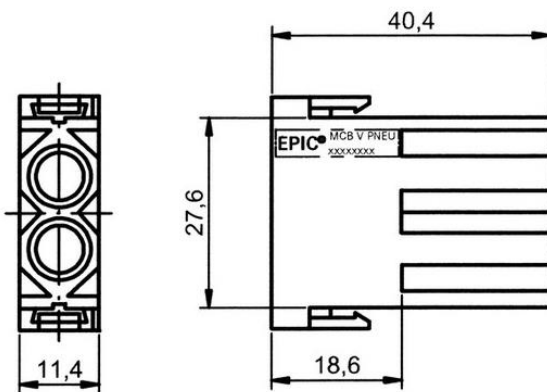
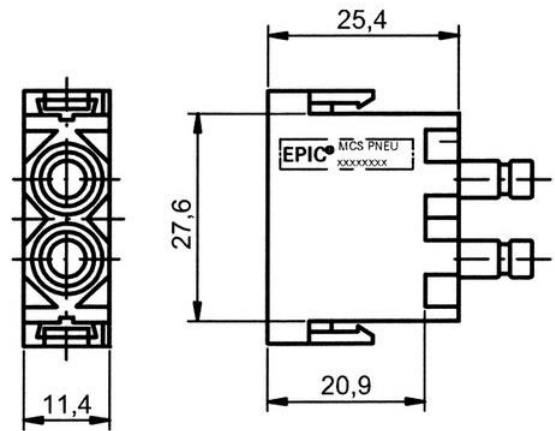
Creator: MANA2/PDP Released: IVSE1/PDP	Document: DB44424008EN Version: 01	Page 1 of 2
---	---------------------------------------	-------------

We reserve all rights according to DIN ISO 16016.

PD 0019/05_04.18EN

44424008	DATA SHEET	
Valid from: 17.09.2018	EPIC® MC MODUL PNEUMATIC 2pole	

Technical Drawing



Automation



Industrial machinery and plant engineering



Wind Energy

Info

Pneumatic modules with valve for 2.5 and 4mm tubings

Application range

Plant engineering
Printing machines
Control engineering

Remark

Photographs are not to scale and do not represent detailed images of the respective products.

Creator: MANA2/PDP Released: IVSE1/PDP	Document: DB44424008EN Version: 01	Page 2 of 2
---	---------------------------------------	-------------