

44423354	DATA SHEET	
Valid from: 13.01.2020	EPIC[®] 250A MHS PE / MHB PE	

Description

- High power module 1pole for compact power transmission
- Crimp connection for permanent vibration proof contact
- EPIC[®] MH system is mateable with the market standard
- The mix of different functions is one plug guarantees high flexibility



General characteristics

Type	PE-Male insulation body (44423354) PE-Female insulation body (44423355)	
Number of contacts	1	
Mating cycles	≥ 500	
Material	Polyamide, glass fibre-reinforced	
Inflammability class acc. with UL 94	V0	
Pollution degree	3	
Temperature range	-40° C to +125° C	
Termination methods	Crimp termination: 25– 95 mm ²	
PE-Contact	With 4 mm ² stranded wire (approx. 160 mm) for connection to PE screw of the frame for potential equalisation. Wire end sleeve is crimped on.	
Suitable male frame	EPIC [®] MHS 6 multi-frame EPIC [®] MHS 10 multi-frame EPIC [®] MHS 16 multi-frame EPIC [®] MHS 24 multi-frame	44423234 44423236 44423238 44423240
Suitable female frame	EPIC [®] MHB 6 multi-frame EPIC [®] MHB 10 multi-frame n EPIC [®] MHB 16 multi-frame EPIC [®] MHB 24 multi-frame	44423235 44423237 44423239 44423241
Suitable male PE-contacts	EPIC [®] MH PE SCEMS 10mm contact 25 mm ² EPIC [®] MH PE SCEMS 10mm contact 35 mm ² EPIC [®] MH PE SCEMS 10mm contact 50 mm ² EPIC [®] MH PE SCEMS 10mm contact 70 mm ² EPIC [®] MH PE SCEMS 10mm contact 95 mm ²	44423344 44423346 44423348 44423350 44423352
Suitable female PE-contacts	EPIC [®] MH PE BCEMS 10mm contact 25 mm ² EPIC [®] MH PE BCEMS 10mm contact 35 mm ² EPIC [®] MH PE BCEMS 10mm contact 50 mm ² EPIC [®] MH PE BCEMS 10mm contact 70 mm ² EPIC [®] MH PE BCEMS 10mm contact 95 mm ²	44423345 44423347 44423349 44423351 44423353

Creator: STKU3/PDP Released: IVSE1/PDP	Document: DB44423354EN Version: 02	Page 1 of 2
---	---------------------------------------	-------------

44423354	DATA SHEET	
Valid from: 13.01.2020	EPIC® 250A MHS PE / MHB PE	

Electrical characteristics

Rated voltage	1000 V
Contact resistance	< 5 mΩ
Rated impuls voltage	8 kV
Rated current	Refer to MH 250A Power Modules

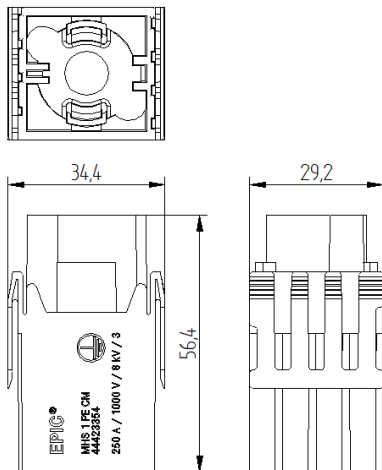
Standards/Approvals

Fire protection on railway vehicles	According to EN 45545-2 Requirement sets R22 and R23 Hazard level HL1, HL2 and HL3
-------------------------------------	--

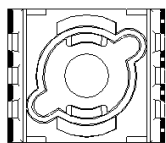
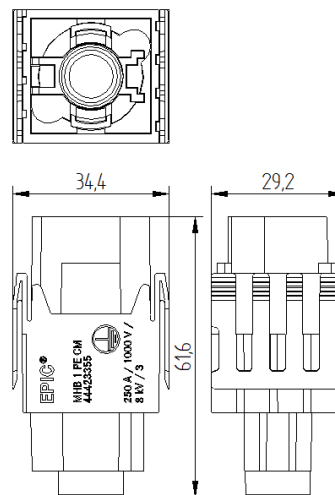
cURus approval in progress

Drawings

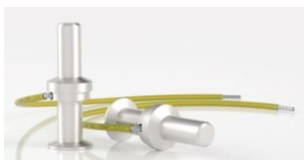
Male PE-insulation body



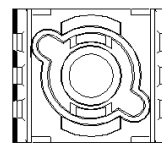
Female PE-insulation body protected



PE-male contact



(The pictures shows the 25 mm² version)



PE-female contact



Note

Photographs are not to scale and do not represent detailed images of the respective products.

Creator: STKU3/PDP Released: IVSE1/PDP	Document: DB44423354EN Version: 02	Page 2 of 2
---	---------------------------------------	-------------