
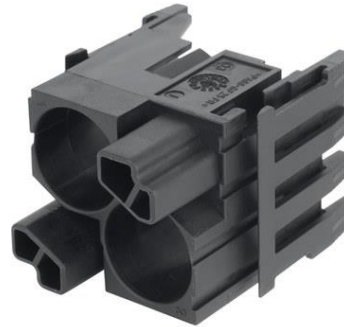


44423230	DATA SHEET	
Valid from: 17.09.2018	EPIC® MHB Bus 2x(4) CM	

Description

- Shielded modul for data and signal transmission
- Crimp connection for permanent vibration-proof contact
- EPIC® MH system is mateable with the market standard
- The mix of different functions is one plug guarantees high flexibility



General characteristics

Contact type	socket
Number of contacts	8
Mating cycles	500
Material	PA
Inflammability class acc. with UL 94	V0
Pollution degree	3
Temperature range	-40° C to +125° C
Termination methods	crimp termination: 0.14 – 2.50 mm ² EPIC® MH 6 multi-frame EPIC® MH 10 multi-frame EPIC® MH 16 multi-frame EPIC® MH 24 multi-frame
Suitable frame	EPIC® H-BE 1.6 machined contacts EPIC® MH Bus PIN 1x(4) contact holder
Suitable contacts	


Electrical characteristics

Rated voltage	50 V
Rated impuls voltage	0.8 kV
Rated current	10 A

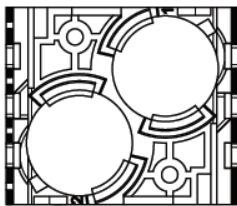
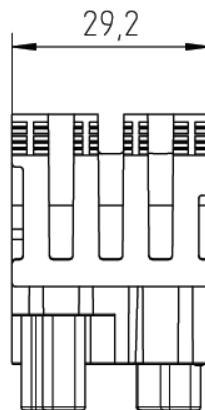
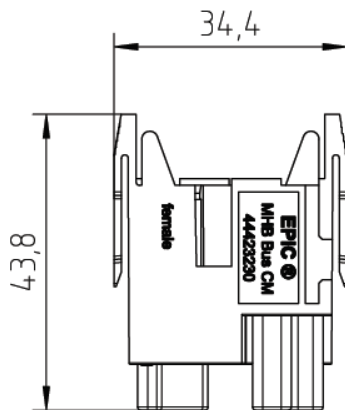
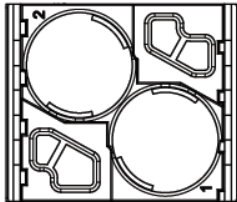
Standards/Approvals

Fire protection on railway vehicles	according EN 45545-2 requirement sets R22 and R23 hazard level HL1, HL2 and HL3
-------------------------------------	---

Creator: JOKR1/PDP Released: IVSE1/PDP	Document: DB44423230EN Version: 02	Page 1 of 2
---	---------------------------------------	-------------

44423230	DATA SHEET	
Valid from: 17.09.2018	EPIC® MHB Bus 2x(4) CM	

Drawings



Note

Photographs are not to scale and do not represent detailed images of the respective products.

Creator: JOKR1/PDP Released: IVSE1/PDP	Document: DB44423230EN Version: 02	Page 2 of 2
---	---------------------------------------	-------------