


44423 140	DATA SHEET	
Valid from: 31.08.2023	EPIC® POWER M12	

Description:

- Circular connector for servo engines and power supply
- Straight version with cable grommet for cables from 8 mm to 10 mm
- High-grade gold-plated contacts



Male connector



Female connector

Product variants:

Article number	Type	Pin arrangement	Cable grommet
44423140	Male cable connector	3+PE; S-Coded	8 mm – 10 mm
44423141	Female cable connector	3+PE; S-Coded	8 mm – 10 mm

General characteristics:

Series	POWER M12
Coding	S-Coded
Type	Female / male cable connector
Pin configuration	3+PE
Rated voltage (V)	630 V
Rated impulse voltage (V)	6 kV
Degree of soiling	3
Overvoltage category	III
Insulation material group male	II
Insulation material group female	III
Rated current (A)	12 A
Contact resistance	≤ 5 mΩ
Termination methods	Screw termination up to 1,5 mm ² (AWG 16)
Cable clamping range	8 mm – 10 mm
Protection	IP 67
Cycles of mechanical operation	>100
Temperature range	-40°C to +85°C
Tightening torque	0,6 Nm (M12 knurl)


Material/surface:

Contact material	CuZn (Brass)
Contact plating	Au (Gold)
Contact support material	PA (Polyamide)

Standards:

Product standard	DIN EN 61076-2-111
Safety Standard	UL2238, CSA 22.2 182.3

Creator: STKU3/PDP Released: IVSE1/PDP	Document: DB44423140EN Version: 02	Page 1 of 2
---	---------------------------------------	-------------

44423 140	DATA SHEET	
Valid from: 31.08.2023	EPIC® POWER M12	

Approvals:

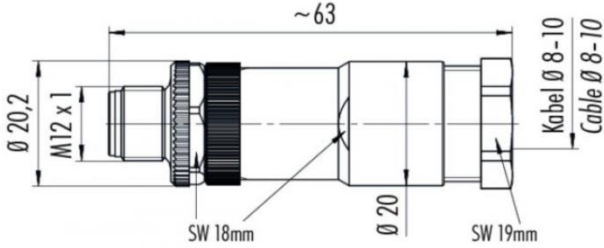
UL-File Number E249137



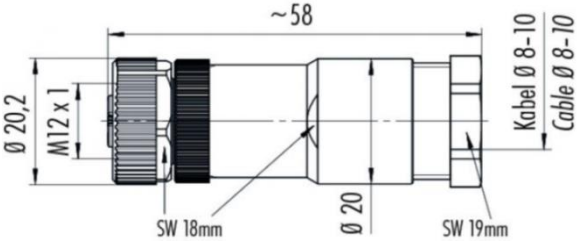
Technical drawing:

Pin-arrangement:

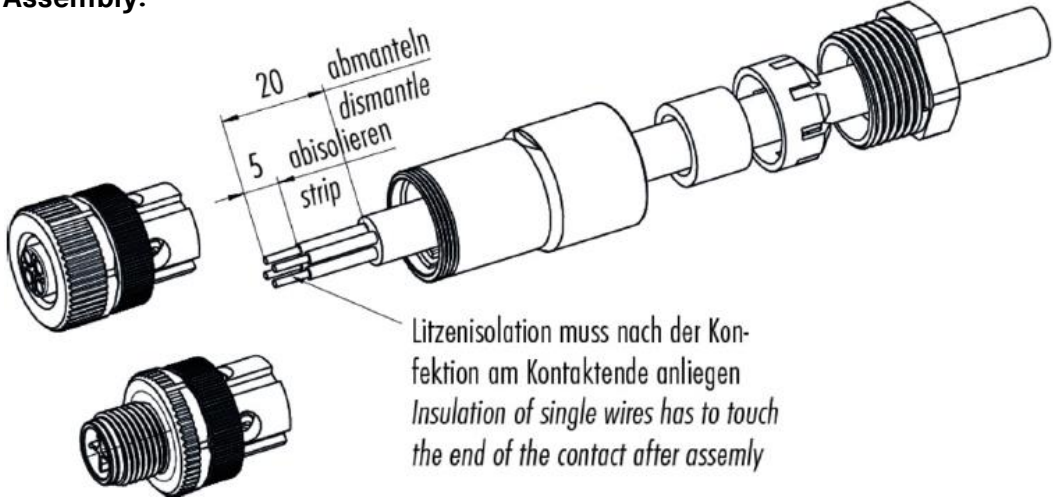
Male connector



Female connector



Assembly:



Application range:

Power supply for compact engines.

Remark:

Photographs are not to scale and do not represent detailed images of the respective products. Further information can be found in the product standard.

Creator: STKU3/PDP Released: IVSE1/PDP	Document: DB44423140EN Version: 02	Page 2 of 2
---	---------------------------------------	-------------